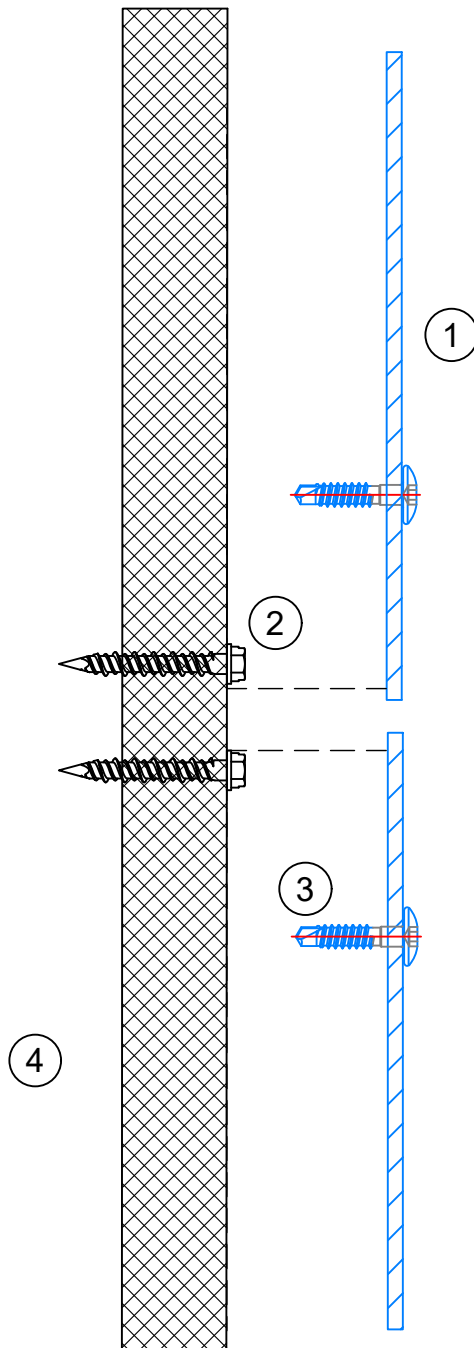


Disclaimer Note: 3A COMPOSITES USA, INC. DOES NOT MAKE ANY WARRANTIES, EXPRESS OR IMPLIED INCLUDING MERCHANTABILITY AND FITNESS FOR PURPOSE. THIS INFORMATION IS GIVEN TO THE BEST OF OUR KNOWLEDGE BUT WITHOUT ANY OBLIGATION ON OUR PART



1 VERTICAL JOINT

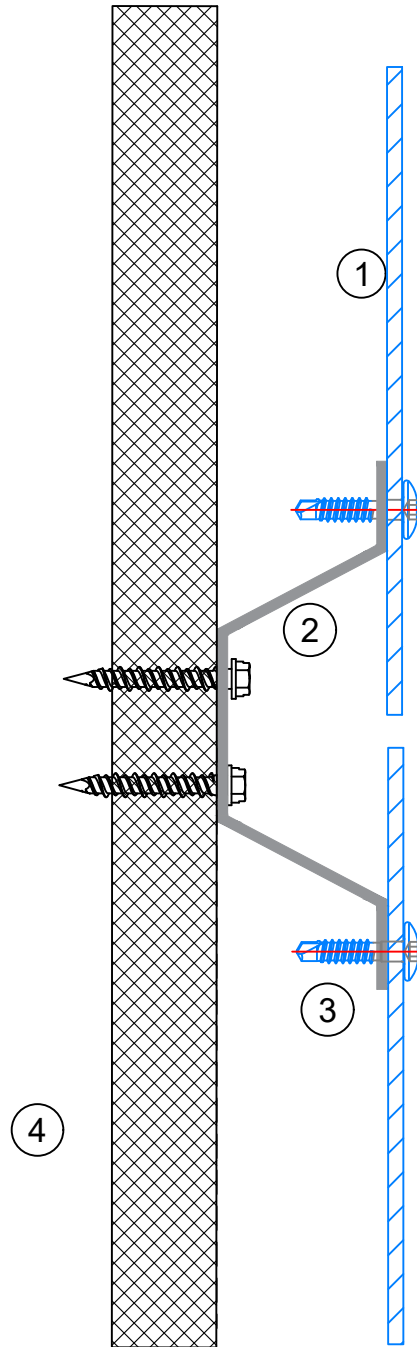
- 1. ALUCOBOND Plus ACM
- 2. Hat Channel by others
- 3. SFS SLA S-D12
- 4. Wall Assembly by others



ALUCOBOND[®] PLUS
GIVING SHAPE TO GREAT IDEAS

INTERIORS
ALUCOBOND PLUS

Disclaimer Note: 3A COMPOSITES USA, INC. DOES NOT MAKE ANY WARRANTIES, EXPRESS OR IMPLIED INCLUDING MERCHANTABILITY AND FITNESS FOR PURPOSE. THIS INFORMATION IS GIVEN TO THE BEST OF OUR KNOWLEDGE BUT WITHOUT ANY OBLIGATION ON OUR PART



2 HORIZONTAL JOINT

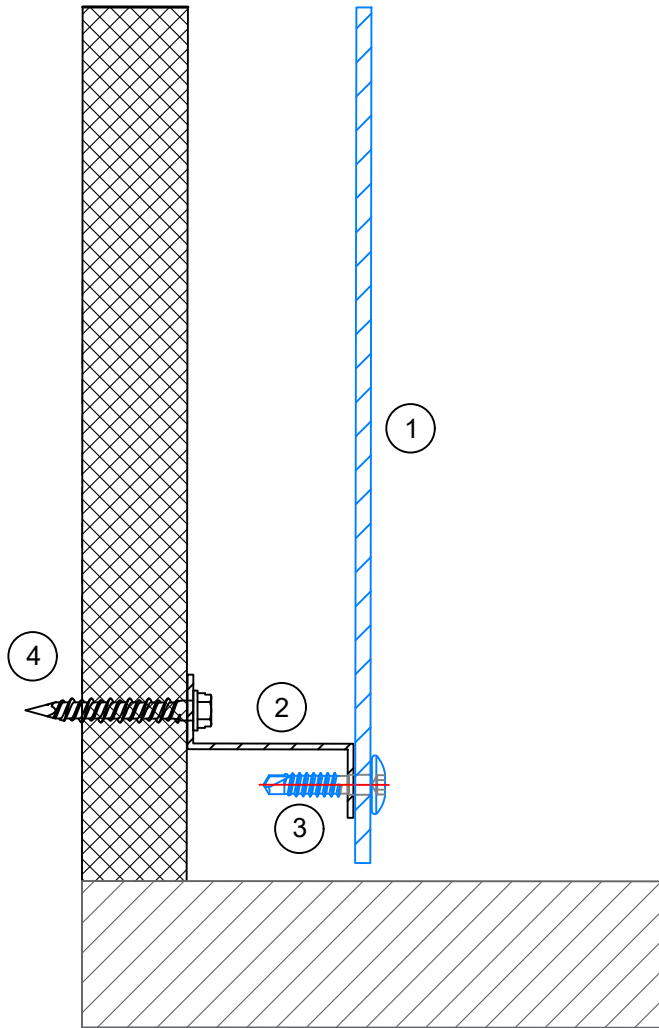
- 1. ALUCOBOND Plus ACM
- 2. Hat Channel by others
- 3. SFS SLA S-D12
- 4. Wall Assembly by others



ALUCOBOND[®] PLUS
GIVING SHAPE TO GREAT IDEAS

INTERIORS
ALUCOBOND PLUS

Disclaimer Note: 3A COMPOSITES USA, INC. DOES NOT MAKE ANY WARRANTIES, EXPRESS OR IMPLIED INCLUDING MERCHANTABILITY AND FITNESS FOR PURPOSE. THIS INFORMATION IS GIVEN TO THE BEST OF OUR KNOWLEDGE BUT WITHOUT ANY OBLIGATION ON OUR PART



3 BASE CONDITION DETAIL

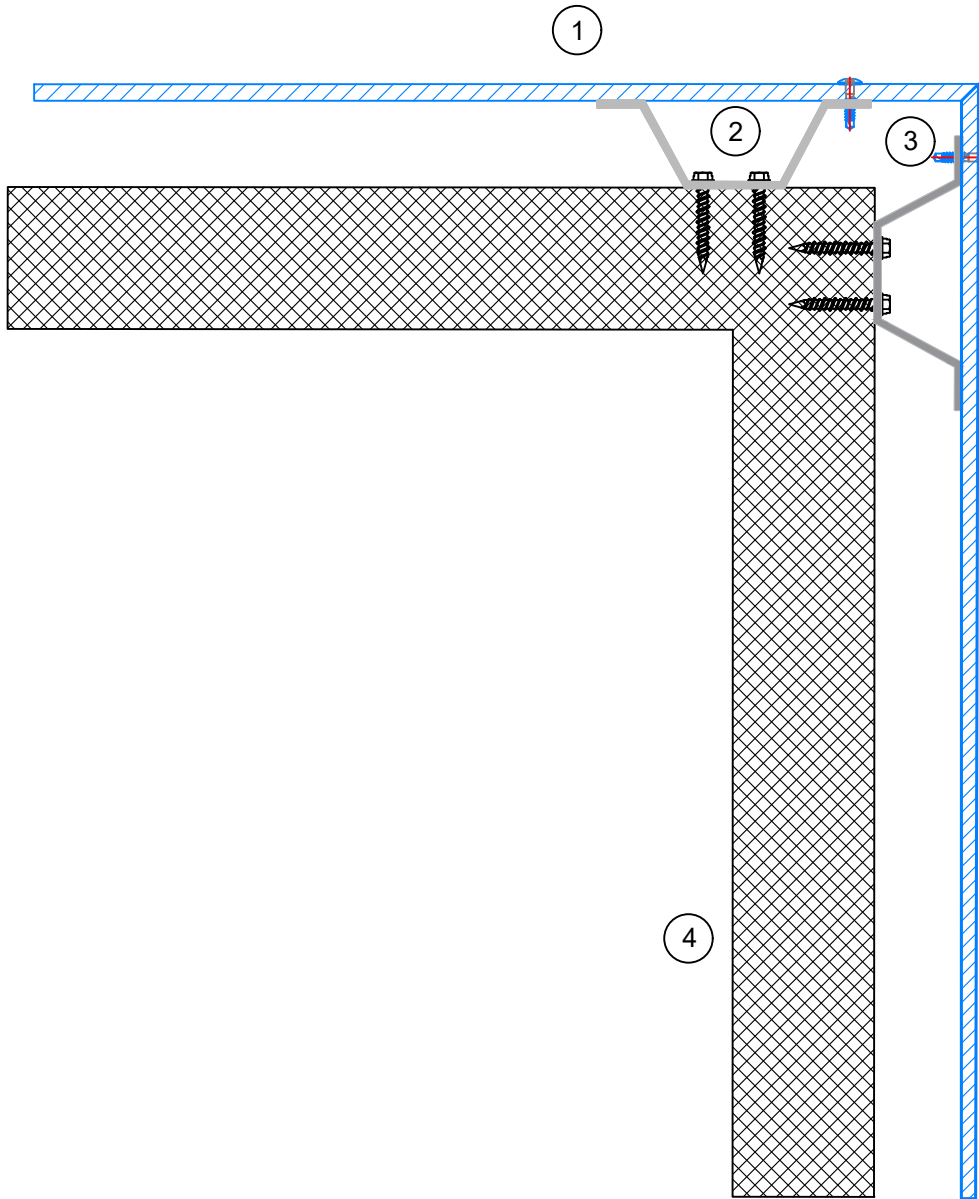
- 1. ALUCOBOND Plus ACM
- 2. Hat Channel by others
- 3. SFS SLA S-D12
- 4. Wall Assembly by others



ALUCOBOND[®] PLUS
GIVING SHAPE TO GREAT IDEAS

INTERIOR
ALUCOBOND PLUS

Disclaimer Note: 3A COMPOSITES USA, INC. DOES NOT MAKE ANY WARRANTIES, EXPRESS OR IMPLIED INCLUDING MERCHANTABILITY AND FITNESS FOR PURPOSE. THIS INFORMATION IS GIVEN TO THE BEST OF OUR KNOWLEDGE BUT WITHOUT ANY OBLIGATION ON OUR PART



4 OUTSIDE CORNER DETAIL

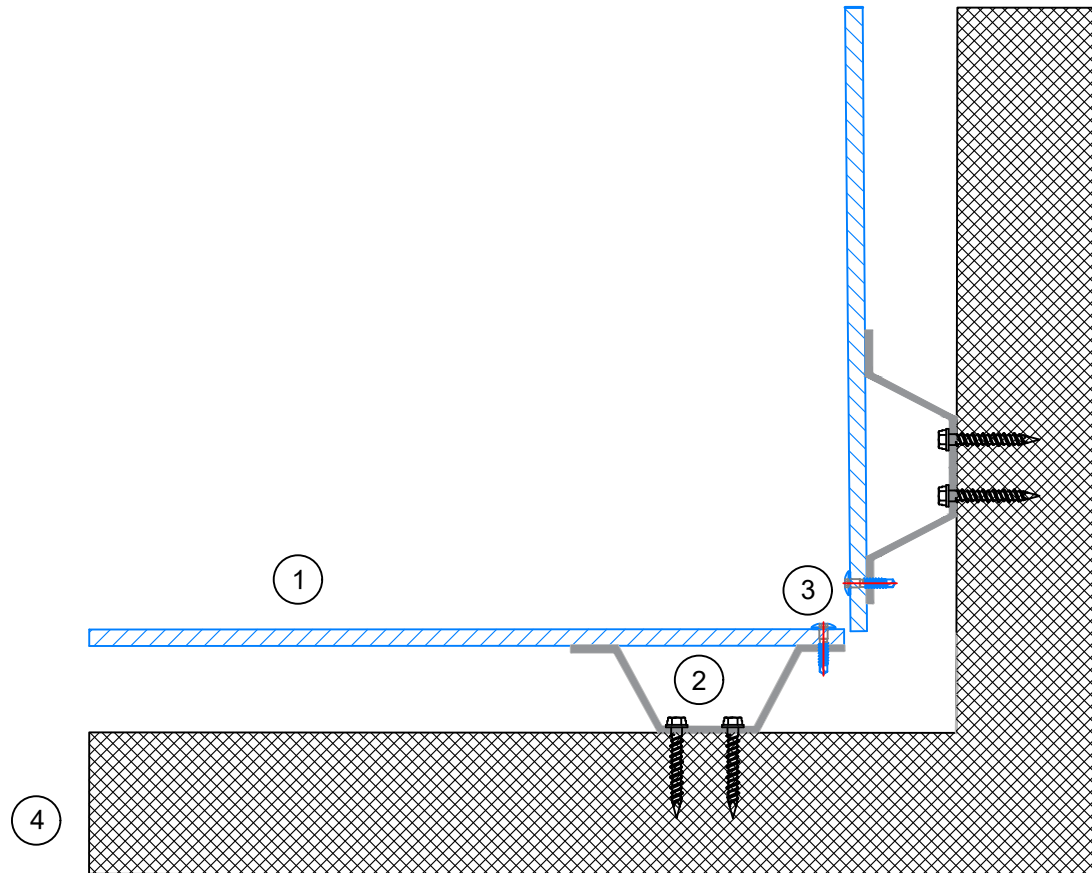
- 1. ALUCOBOND Plus ACM
- 2. Hat Channel by others
- 3. SFS SLA S-D12
- 4. Wall Assembly by others



ALUCOBOND[®] PLUS
GIVING SHAPE TO GREAT IDEAS

INTERIORS
ALUCOBOND PLUS

Disclaimer Note: 3A COMPOSITES USA, INC. DOES NOT MAKE ANY WARRANTIES, EXPRESS OR IMPLIED INCLUDING MERCHANTABILITY AND FITNESS FOR PURPOSE. THIS INFORMATION IS GIVEN TO THE BEST OF OUR KNOWLEDGE BUT WITHOUT ANY OBLIGATION ON OUR PART



5 INSIDE CORNER DETAIL

- 1. ALUCOBOND Plus ACM
- 2. Hat Channel by others
- 3. SFS SLA S-D12
- 4. Wall Assembly by others



ALUCOBOND[®] PLUS
GIVING SHAPE TO GREAT IDEAS

INTERIORS
ALUCOBOND PLUS