



DEPARTMENT OF REGULATORY AND ECONOMIC RESOURCES (RER)
 BOARD AND CODE ADMINISTRATION DIVISION
NOTICE OF ACCEPTANCE (NOA)

MIAMI-DADE COUNTY
 PRODUCT CONTROL SECTION
 11805 SW 26 Street, Room 208
 Miami, Florida 33175-2474
 T (786) 315-2590 F (786) 315-2599
www.miamidade.gov/economy

3A Composites USA Inc.
 P.O. Box 507, 208 West 5th Street
 Benton, KY 42025

SCOPE:

This NOA is being issued under the applicable rules and regulations governing the use of construction materials. The documentation submitted has been reviewed and accepted by Miami-Dade County RER-Product Control Section to be used in Miami Dade County and other areas where allowed by the Authority Having Jurisdiction (AHJ).

This NOA shall not be valid after the expiration date stated below. The Miami-Dade County Product Control Section (In Miami Dade County) and/or the AHJ (in areas other than Miami Dade County) reserve the right to have this product or material tested for quality assurance purposes. If this product or material fails to perform in the accepted manner, the manufacturer will incur the expense of such testing and the AHJ may immediately revoke, modify, or suspend the use of such product or material within their jurisdiction. RER reserves the right to revoke this acceptance, if it is determined by Miami-Dade County Product Control Section that this product or material fails to meet the requirements of the applicable building code.

This product is approved as described herein, and has been designed to comply with the Florida Building Code, including the High Velocity Hurricane Zone.

DESCRIPTION: Alucobond PE Aluminum Composite Wall Panel System

APPROVAL DOCUMENT: Drawing No. ALU-1, titled "Dade Co. Alucobond", sheets 1 through 3 of 3, dated 10/25/2000, 01/05/2006 and 08/29/2008, with revision dated 10/01/2010, prepared by 3A Composites USA Inc, signed and sealed by Allen N. Reeves, P.E., bearing the Miami-Dade County Product Control revision stamp with the Notice of Acceptance number and expiration date by the Miami-Dade County Product Control Section.

MISSILE IMPACT RATING: Large and Small Missile Impact Resistant

LABELING: Each unit shall bear a permanent label with the manufacturer's name or logo, city, state, model/series, and following statement: "Miami-Dade County Product Control Approved", unless otherwise noted herein.

RENEWAL of this NOA shall be considered after a renewal application has been filed and there has been no change in the applicable building code negatively affecting the performance of this product.

TERMINATION of this NOA will occur after the expiration date or if there has been a revision or change in the materials, use, and/or manufacture of the product or process. Misuse of this NOA as an endorsement of any product, for sales, advertising or any other purposes shall automatically terminate this NOA. Failure to comply with any section of this NOA shall be cause for termination and removal of NOA.

ADVERTISEMENT: The NOA number preceded by the words Miami-Dade County, Florida, and followed by the expiration date may be displayed in advertising literature. If any portion of the NOA is displayed, then it shall be done in its entirety.

INSPECTION: A copy of this entire NOA shall be provided to the user by the manufacturer or its distributors and shall be available for inspection at the job site at the request of the Building Official.

This NOA renews and revises NOA # 12-0125.23 and consists of this page 1 and evidence pages E-1 and E-2, as well as approval document mentioned above.

The submitted documentation was reviewed by Carlos M. Utrera, P.E.



[Handwritten Signature]
 01/21/2016

NOA No. 15-1019.02
 Expiration Date: July 31, 2020
 Approval Date: January 28, 2016
 Page 1

NOTICE OF ACCEPTANCE: EVIDENCE SUBMITTED

A. DRAWINGS “Submitted under NOA # 10-1101.02”

1. Drawing No. **ALU-1**, titled “Dade Co. Alucobond”, sheets 1 through 3 of 3, dated 10/25/2000, 01/05/2006 and 08/29/2008, with revision dated 10/01/2010, prepared by 3A Composites USA Inc, signed and sealed by Allen N. Reeves, P.E.

B. TESTS “Submitted under NOA # 06-1019.02”

1. Test report on Cyclic Wind Pressure Loading test per PA 203 and Uniform Static Air Pressure Loading test per PA 202 and Air Infiltration test per PA 202 on “Alucobond 4mm Aluminum Composite Wall Panel System”, prepared by Architectural Testing Inc., report No. **ATI-58412.01-122-18**, dated 08/17/2005, signed and sealed by S. M. Urich, P.E.
2. Self Ignition Temperature test report per ASTM D-1929 on “Alucobond ”, prepared by Southwest Research Institute; Project No. **01-10934.01.657**, dated 10/14/2005, signed by R. L. Vinson, III, P.E.
3. Surface Burning Characteristic test report per ASTM E-84 on “Alucobond ” prepared by Southwest Research Institute, Project No. **01-10932.01.256(1)**, dated 10/11/2005, and signed by R. L. Vinson, III, P.E.
4. Time of Burning test report per ASTM D-635 on “Alucobond ” prepared by Southwest Research Institute, Project No. **01-10932.01.257**, dated 10/11/2005, and signed by R. L. Vinson, III, P.E.

C. CALCULATIONS “Submitted under NOA # 08-1210.10”

1. Anchor verification calculations prepared by HR Engineering, Inc, complying with F.B.C 2007, dated 08/07/2008, signed and sealed by Allen N. Reeves, P.E.

D. QUALITY ASSURANCE

1. Miami-Dade Department of Regulatory and Economic Resources (RER)


01/21/2016

Carlos M. Utrera, P.E.
Product Control Examiner
NOA No. 15-1019.02
Expiration Date: July 31, 2020
Approval Date: January 28, 2016

NOTICE OF ACCEPTANCE: EVIDENCE SUBMITTED

E. MATERIAL CERTIFICATIONS


1. None.

F. STATEMENTS

1. Statement letter of code conformance to the 5th edition (2014) FBC issued by HR Engineering, Inc, dated 07/27/2015, signed and sealed by Allen N. Reeves, P.E.
2. Statement letter of no financial interest issued by HR Engineering, Inc, dated 07/27/2015, signed and sealed by Allen N. Reeves, P.E.

"Submitted under NOA # 12-0125.03"

3. Statement letter of code conformance to 2010 FBC issued by HR Engineering, Inc, dated 12/07/2011, signed and sealed by Allen N. Reeves, P.E.
4. Statement letter of no financial interest issued by HR Engineering, Inc, dated 12/06/2011, signed and sealed by Allen N. Reeves, P.E.



01/21/2016

Carlos M. Utrera, P.E.
Product Control Examiner
NOA No. 15-1019.02
Expiration Date: July 31, 2020
Approval Date: January 28, 2016

DESCRIPTION:

THIS IS 4mm THICK ALUCOBOND, A NON-FIRE RATED COMPOSITE PANEL CONSISTING OF TWO 0.020" ALUMINUM FACE SHEETS WITH A LOW DENSITY POLYETHYLENE CORE. THE PANEL EDGES ARE FOLDED OVER AND THE FOLDED CORNERS ARE REINFORCED WITH 0.035" THICK ALUMINUM CORNER ANGLES WHICH ARE ATTACHED WITH #10x3/4" SHEET METAL SCREWS.

MATERIAL CHARACTERISTICS

1. ALUCOBOND WITH POLYETHYLENE CORE

DESCRIPTION	TEST	PROPERTIES
SELF IGNITION TEMP.	ASTM D1929	747°F
FLASH IGNITION TEMP.	ASTM D1929	678°F
RATE OF BURNING	ASTM D635	C1
FLAME SPREAD INDEX	ASTM E84	0
SMOKE DEVELOPMENT	ASTM E84	5

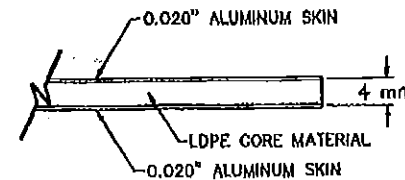
DESIGN PRESSURE RATING
+61.8 PSF - 81.3 PSF
LARGE MISSILE IMPACT RESISTANCE
INSTALLED IN FRONT OF
5/8" PLYWOOD SUPPORTED 16" O.C.

2. ALUMINUM SKINS

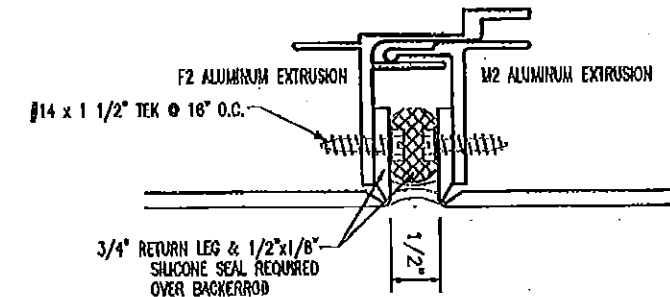
THICKNESS	0.02 INCHES
ALLOY	3003-H24
FINISH	PVDF PAINT

3. PANEL SIZES

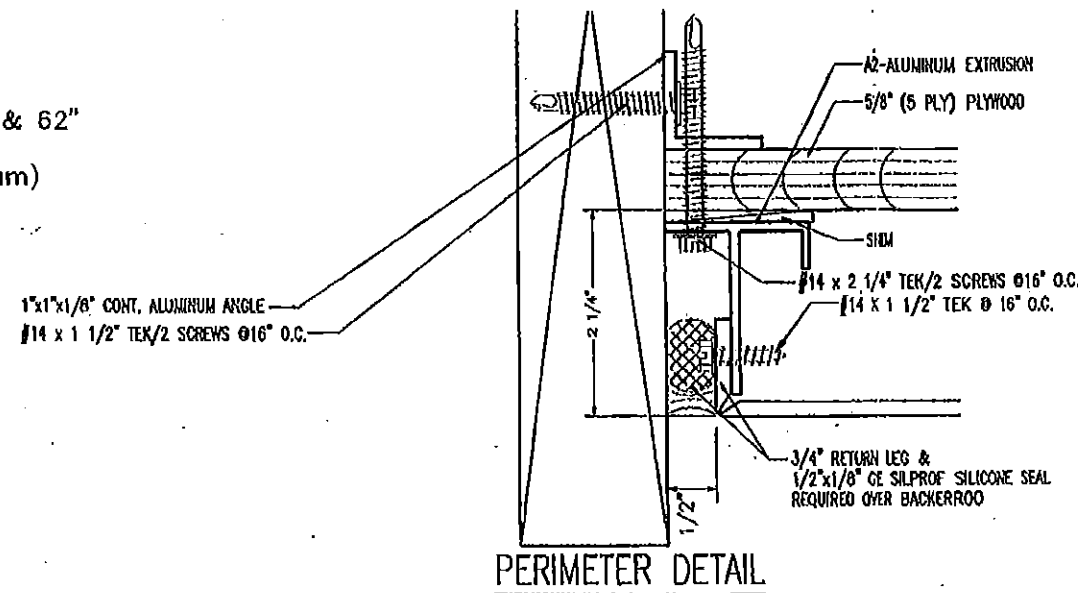
WIDTH	39", 48", 50", 60" & 62"
LENGTH	8', 10', 12', & 16'
THICKNESS	0.16 INCHES (4.00mm)



ALUCOBOND-ALUM.
COMPOSITE PANEL

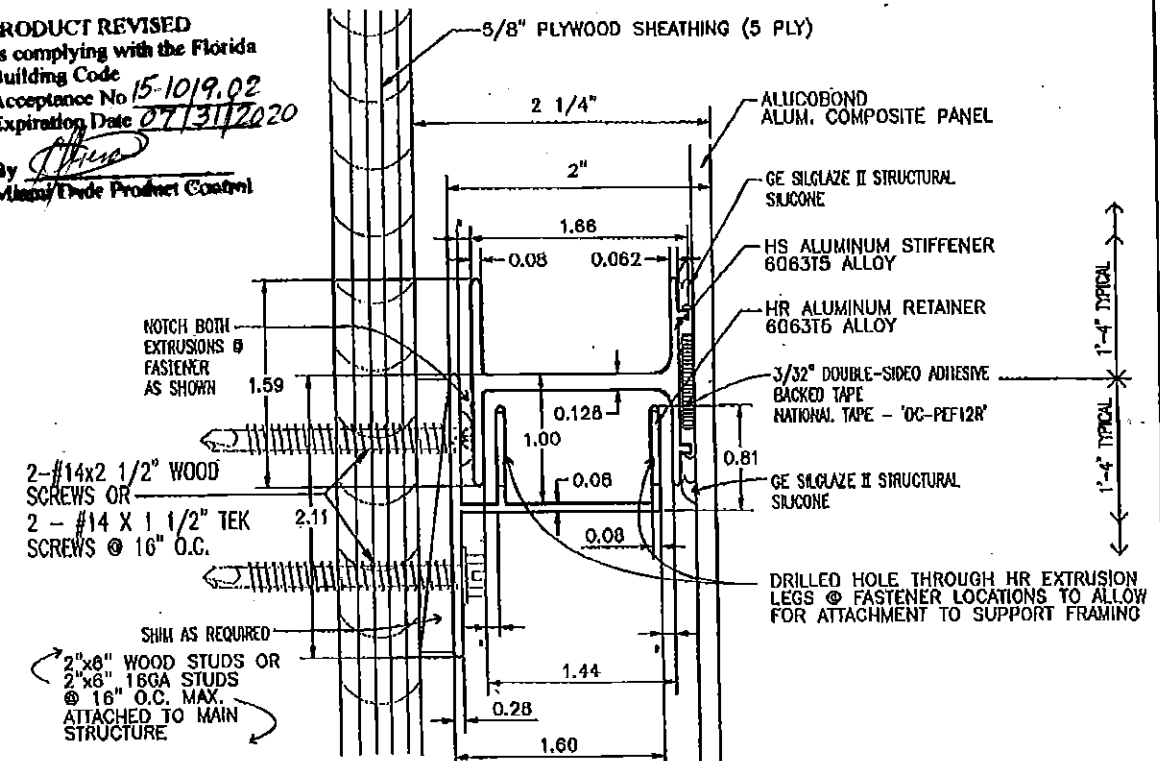


HORIZONTAL & VERTICAL JT. DETAIL



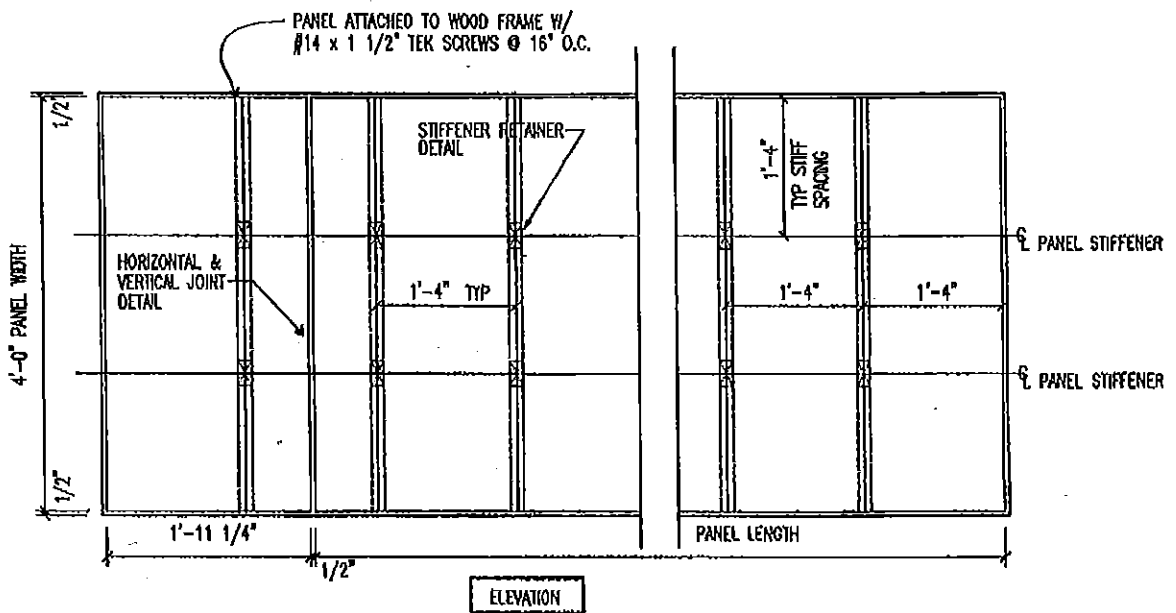
PERIMETER DETAIL

PRODUCT REVISED
as complying with the Florida
Building Code
Acceptance No 15-1019.02
Expiration Date 07/31/2020
By *[Signature]*
Miami/Dade Product Control



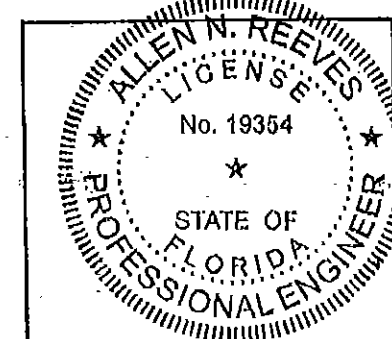
STIFFENER RETAINER DETAIL

PRODUCT REVISED
as complying with the Florida
Building Code
Acceptance No 10-1101.02
Expiration Date 07/31/2015
By *[Signature]*
Miami/Dade Product Control



ELEVATION

PRODUCT REVISED
as complying with the Florida
Building Code
Acceptance No 12-0125.23
Expiration Date 07/31/2015
By *[Signature]*
Miami/Dade Product Control



3A Composites USA Inc.
208 WEST 6TH STREET
BENTON, KY. 42026
270-527-4200

TITLE: DADE CO. - ALUCOBOND OVER PLYWOOD ON WOOD OR METAL STUDS

DWG NO.:	SHT NO.:	DWG DATE:	REV. DATE:
ALU-1	1	10-25-00	10-01-10

ALLEN N. REEVES, P.E. STRUCTURAL ENGINEER FLORIDA #19354

Allen N. Reeves
14 OCTOBER 2010

DESCRIPTION:

THIS IS 4mm THICK ALUCOBOND, A NON-FIRE RATED COMPOSITE PANEL CONSISTING OF TWO 0.020" ALUMINUM FACE SHEETS WITH A LOW DENSITY POLYETHYLENE CORE. THE PANEL EDGES ARE FOLDED OVER AND THE FOLDED CORNERS ARE REINFORCED WITH 0.035" THICK ALUMINUM CORNER ANGLES WHICH ARE ATTACHED WITH #10x3/4" SHEET METAL SCREWS.

MATERIAL CHARACTERISTICS

1. ALUCOBOND WITH POLYETHYLENE CORE

DESCRIPTION	TEST	PROPERTIES
SELF IGNITION TEMP.	ASTM D1929	716°F
FLASH IGNITION TEMP.	ASTM D1929	716°F
RATE OF BURNING	ASTM D635	CC1
FLAME SPREAD INDEX	ASTM E84	5
SMOKE DEVELOPMENT	ASTM E84	0

DESIGN PRESSURE RATING
 +90 PSF -90 PSF
 LARGE MISSILE IMPACT RESISTANCE
 INSTALLED IN FRONT OF 1" RIB
 CORRUGATED 22 GAUGE
 STEEL DECKING SUPPORTED 16" O.C.

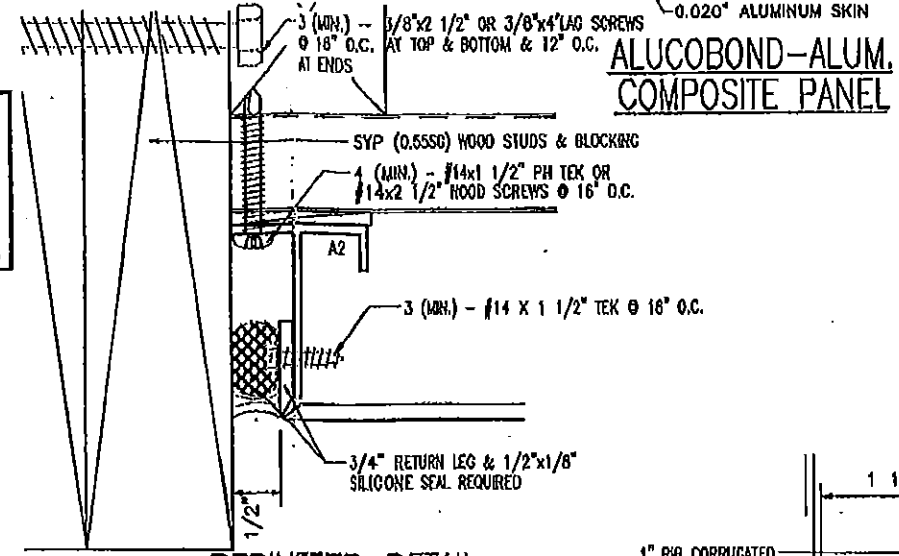
2. ALUMINUM SKINS

THICKNESS	0.02 INCHES
ALLOY	3003-H24
FINISH	PVDF PAINT

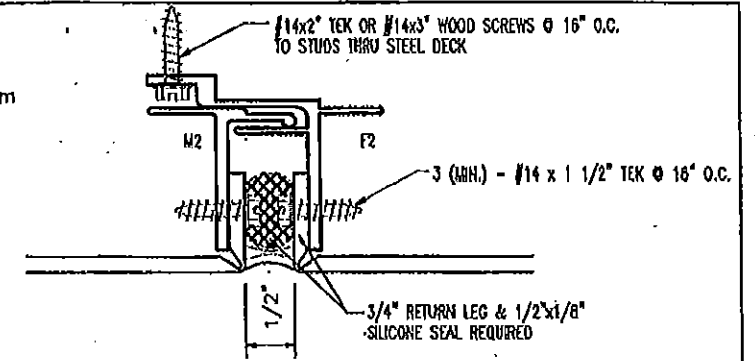
3. PANEL SIZES

WIDTH	39", 48", 50", 60" & 62"
LENGTH	8', 10', 12', & 16'
THICKNESS	0.16 INCHES (4.00mm)

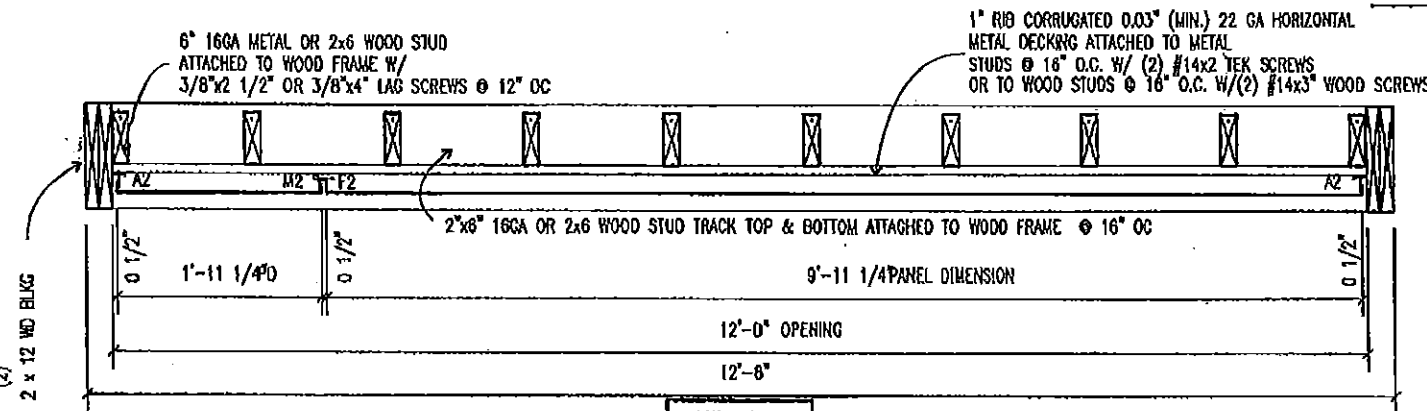
4. STEEL OR WOOD STUDS GREATER THAN 4'-0" IN HEIGHT MUST BE DESIGNED BY A FLORIDA P.E. FOR A MINIMUM OF ±90 PSF WIND PRESSURE.



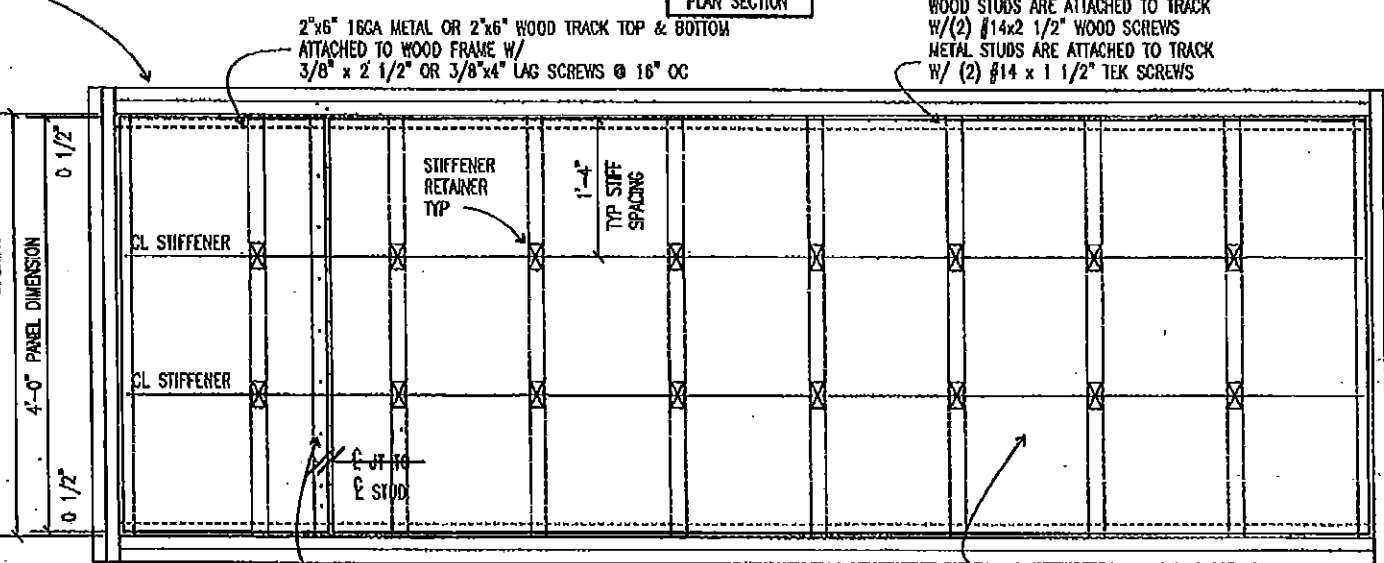
PERIMETER DETAIL



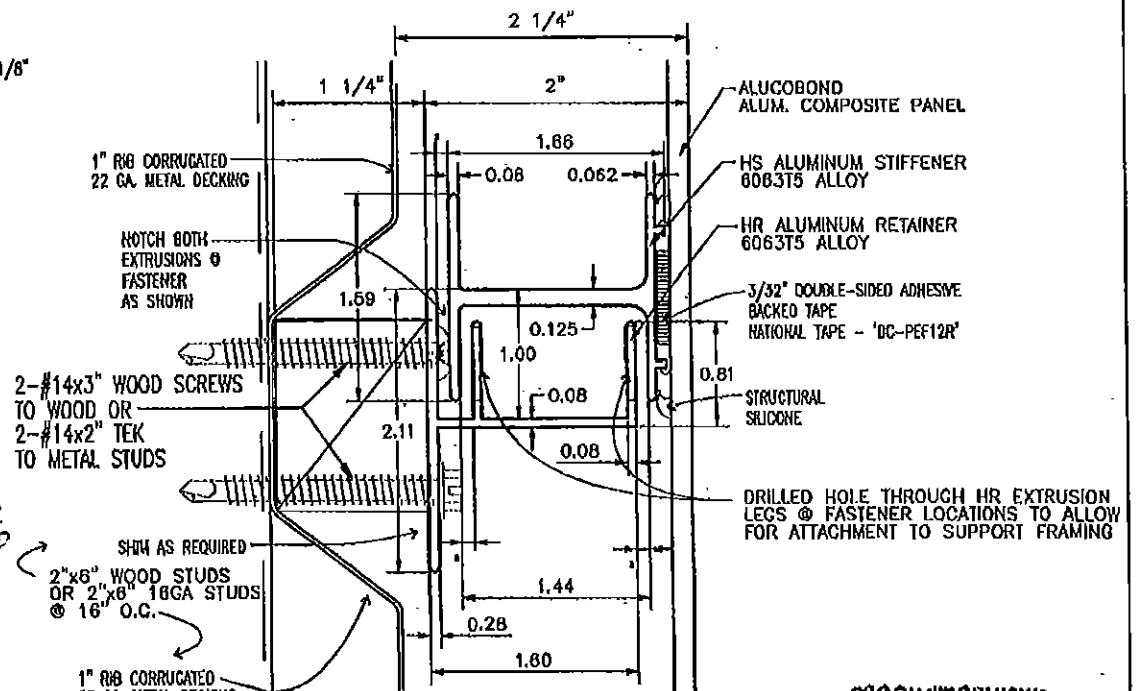
VERTICAL JT DETAIL



PLAN SECTION



ELEVATION

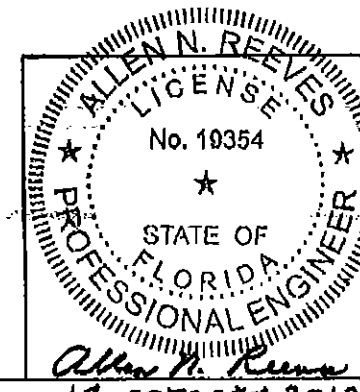


STIFFENER RETAINER DETAIL

PRODUCT REVISED
 as complying with the Florida
 Building Code
 Acceptance No 15-1019.02
 Expiration Date 07/31/2020
 By *[Signature]*
 Miami Trade Product Control

PRODUCT REVISED
 as complying with the Florida
 Building Code
 Acceptance No 12-0125.23
 Expiration Date 07/31/2015
 By *[Signature]*
 Miami Trade Product Control

PRODUCT REVISED
 as complying with the Florida
 Building Code
 Acceptance No 10-1101.02
 Expiration Date 07/31/2015
 By *[Signature]*
 Miami Trade Product Control



Allen N. Reeves
 19 OCTOBER 2010

3A Composites USA Inc.			
208 WEST 8TH STREET BENTON, KY. 42026 270-627-4200			
TITLE: DADE CO. - ALUCOBOND OVER STEEL DECKING ON WOOD OR METAL STUDS			
DWG NO.:	SHT NO.:	DWG DATE:	REV. DATE:
ALU-1	2	01-05-08	10-01-10
ALLEN N. REEVES, P.E. STRUCTURAL ENGINEER FLORIDA #19354			

DESCRIPTION:

THIS IS 4mm THICK ALUCOBOND, A NON-FIRE RATED COMPOSITE PANEL CONSISTING OF TWO 0.020" ALUMINUM FACE SHEETS WITH A LOW DENSITY POLYETHYLENE CORE. THE PANEL EDGES ARE FOLDED OVER AND THE FOLDED CORNERS ARE REINFORCED WITH 0.035" THICK ALUMINUM CORNER ANGLES WHICH ARE ATTACHED WITH #10x3/4" SHEET METAL SCREWS.

MATERIAL CHARACTERISTICS

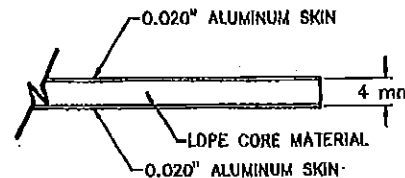
- ALUCOBOND WITH POLYETHYLENE CORE

DESCRIPTION	TEST	PROPERTIES
SELF IGNITION TEMP.	ASTM D1929	747°F
FLASH IGNITION TEMP.	ASTM D1929	678°F
RATE OF BURNING	ASTM D635	C1
FLAME SPREAD INDEX	ASTM E84	0
SMOKE DEVELOPMENT	ASTM E84	5
- ALUMINUM SKINS

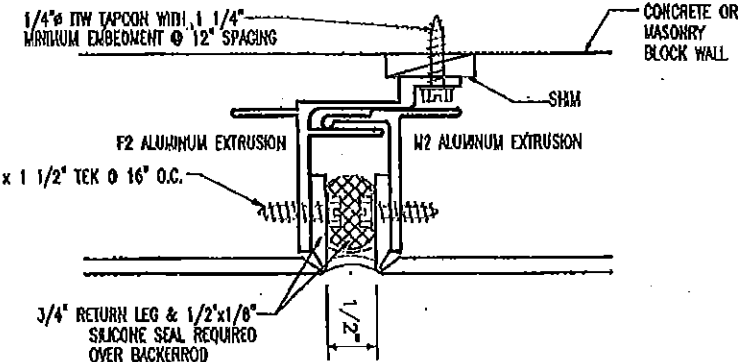
THICKNESS	0.02 INCHES
ALLOY	3003-H24
FINISH	PVDF PAINT
- PANEL SIZES

WIDTH	39", 48", 50", 60" & 62"
LENGTH	8', 10', 12', & 16'
THICKNESS	0.16 INCHES (4.00mm)
- CONCRETE IN WALLS TO HAVE MINIMUM $F'_c = 3,200$ psi
- MASONRY BLOCK WALLS TO BE ASTM C90 TYPE.

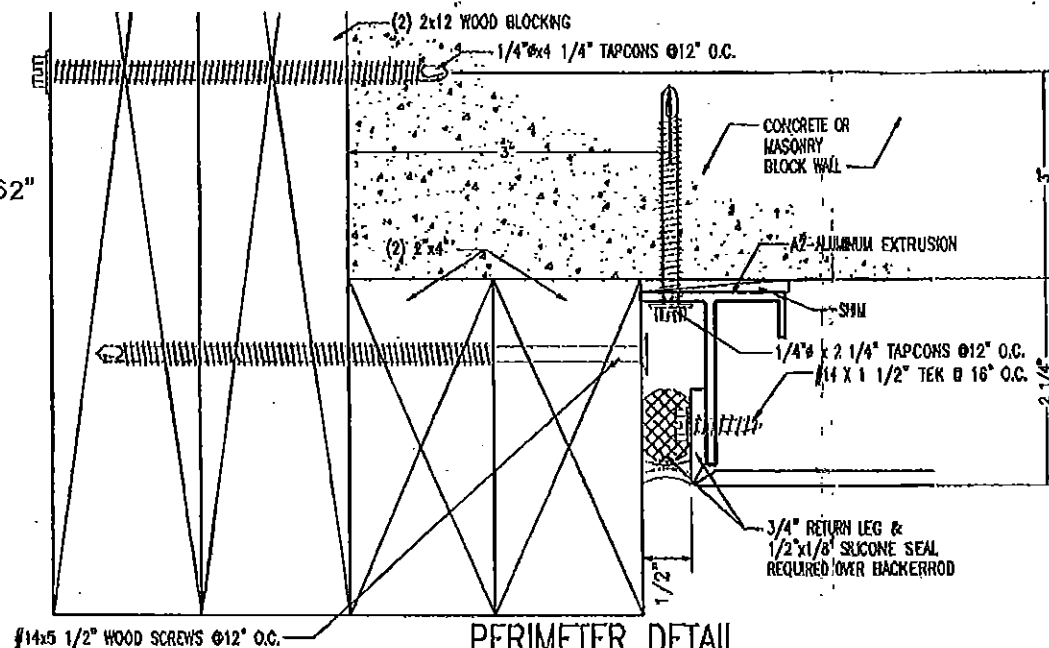
DESIGN PRESSURE RATING
 +90.0 PSF - 90.0 PSF
 LARGE MISSILE IMPACT RESISTANCE
 INSTALLED IN FRONT OF
 CONCRETE & MASONRY BLOCK WALLS



**ALUCOBOND-ALUM.
COMPOSITE PANEL**

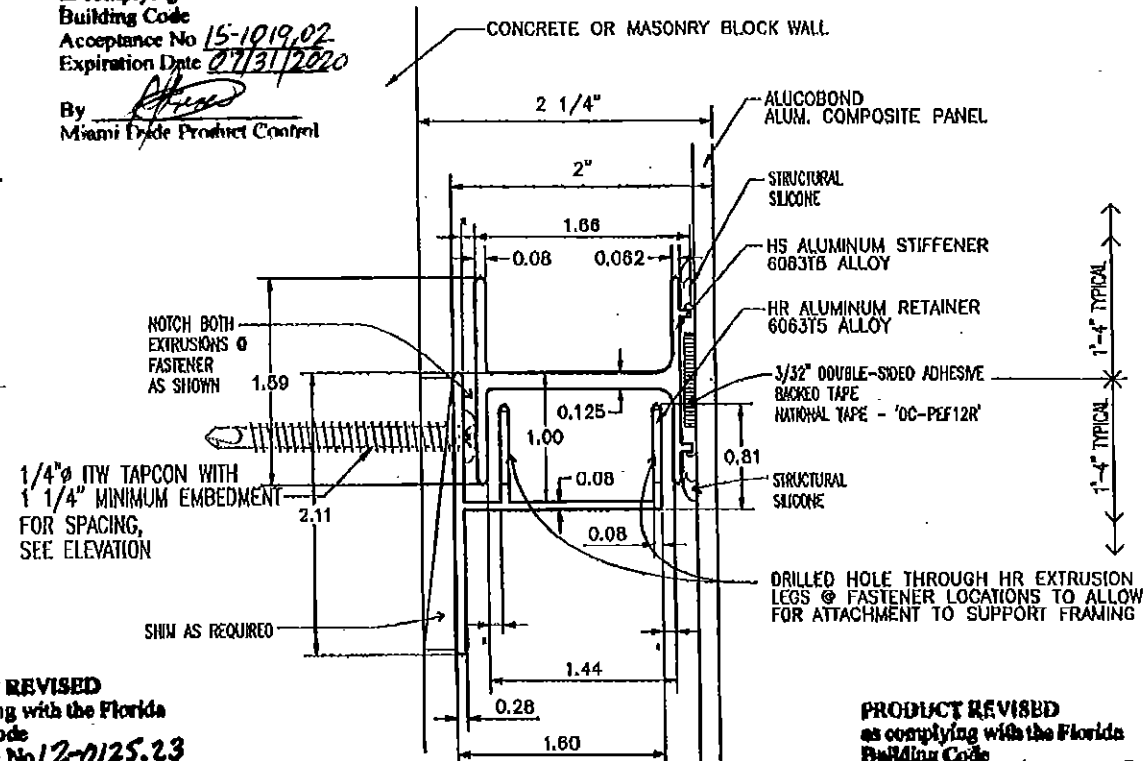


HORIZONTAL & VERTICAL JT DETAIL



PERIMETER DETAIL

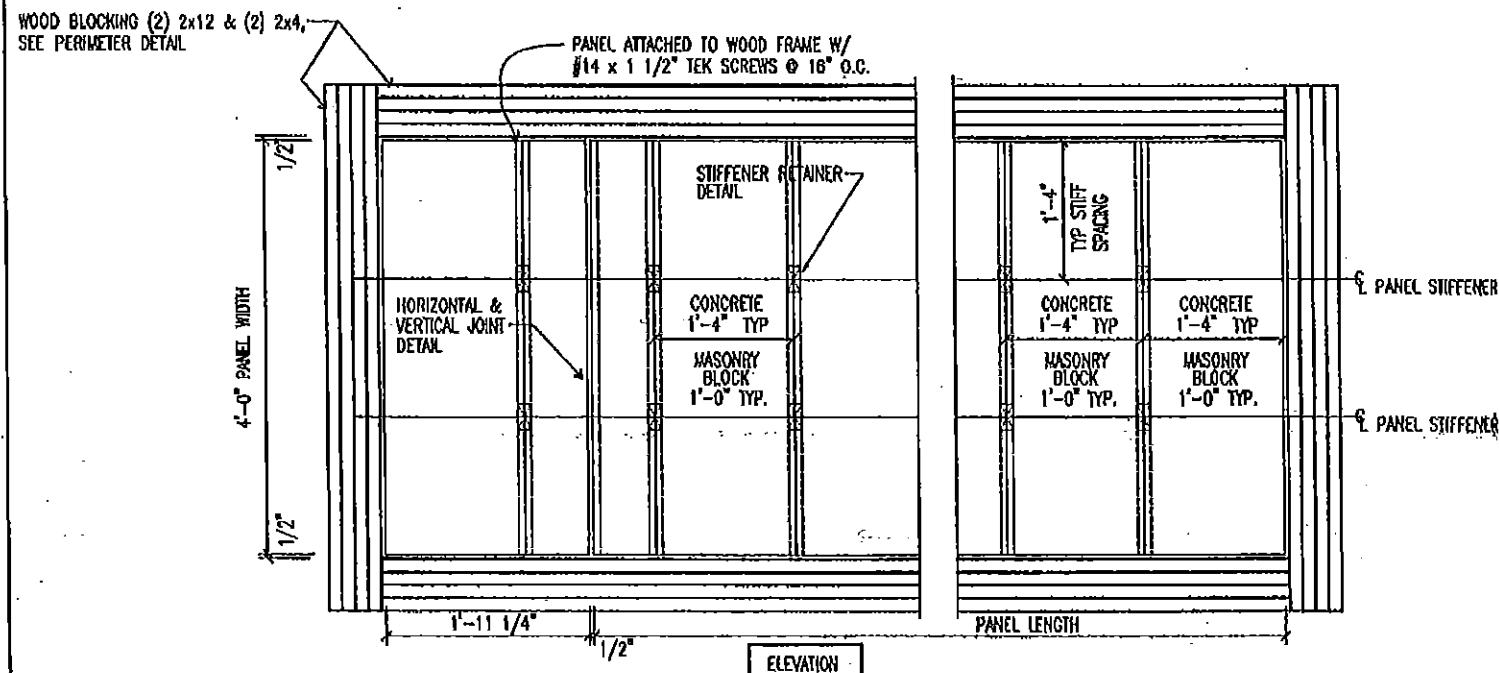
PRODUCT REVISED
 as complying with the Florida
 Building Code
 Acceptance No 15-1019.02
 Expiration Date 07/31/2020
 By *[Signature]*
 Miami Dade Product Control



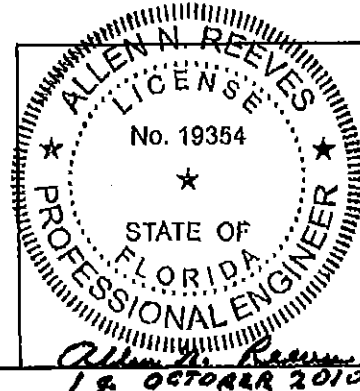
STIFFENER RETAINER DETAIL


PRODUCT REVISED
 as complying with the Florida
 Building Code
 Acceptance No 12-0125.23
 Expiration Date 07/31/2015
 By *[Signature]*
 Miami Dade Product Control

PRODUCT REVISED
 as complying with the Florida
 Building Code
 Acceptance No 10-1101.02
 Expiration Date 07/31/2015
 By *[Signature]*
 Miami Dade Product Control



ELEVATION



 3A Composites USA Inc. 209 WEST 5TH STREET BENTON, KY. 42025 270-827-4200			
TITLE: DADÉ CO. - ALUCOBOND ON CONCRETE OR MASONRY BLOCK			
DWG NO.:	SHT NO.:	DWG DATE:	REV. DATE:
ALU-1	3	08-28-08	10-01-10
ALLEN N. REEVES, P.E. STRUCTURAL ENGINEER FLORIDA #19354			