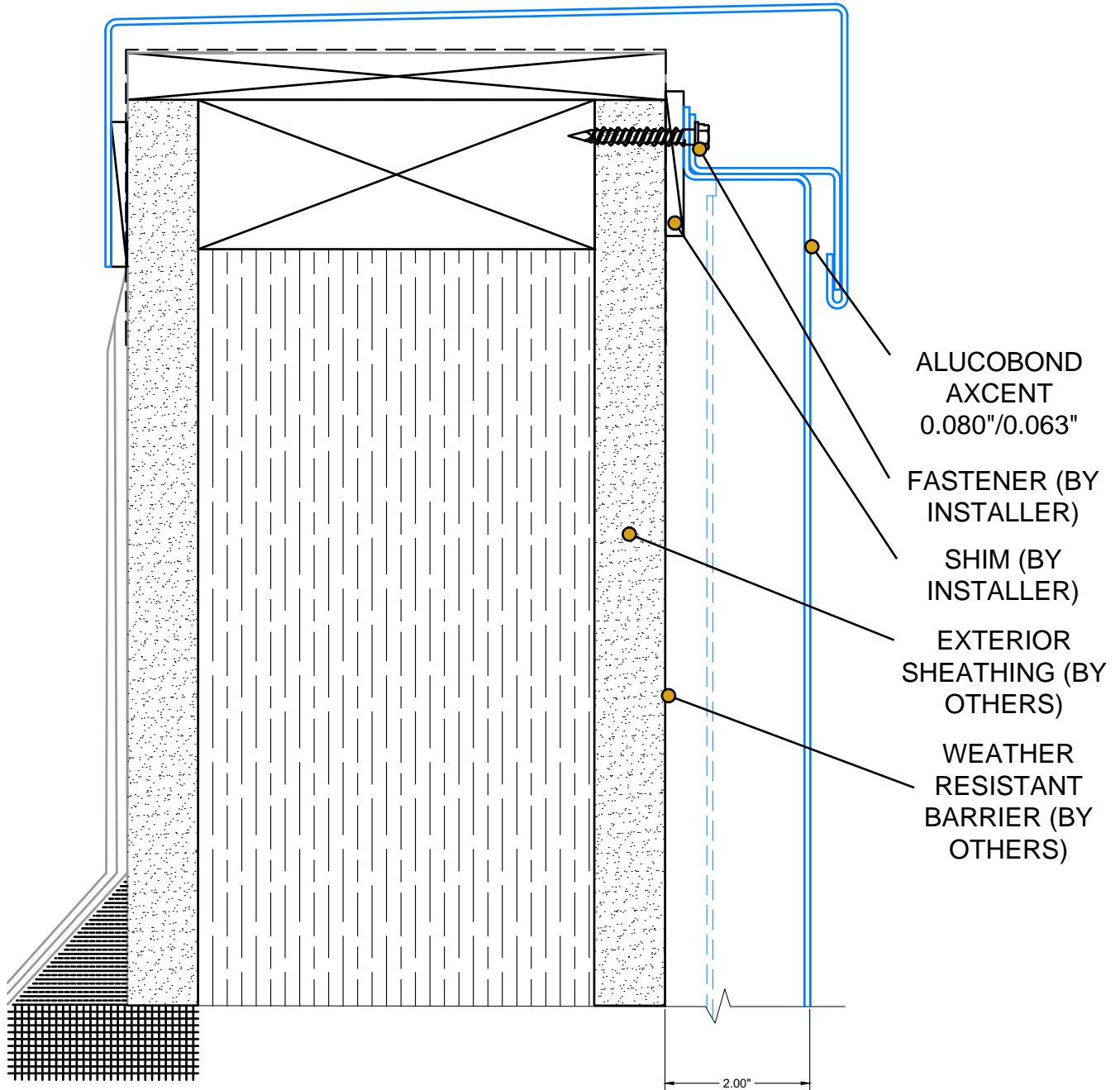


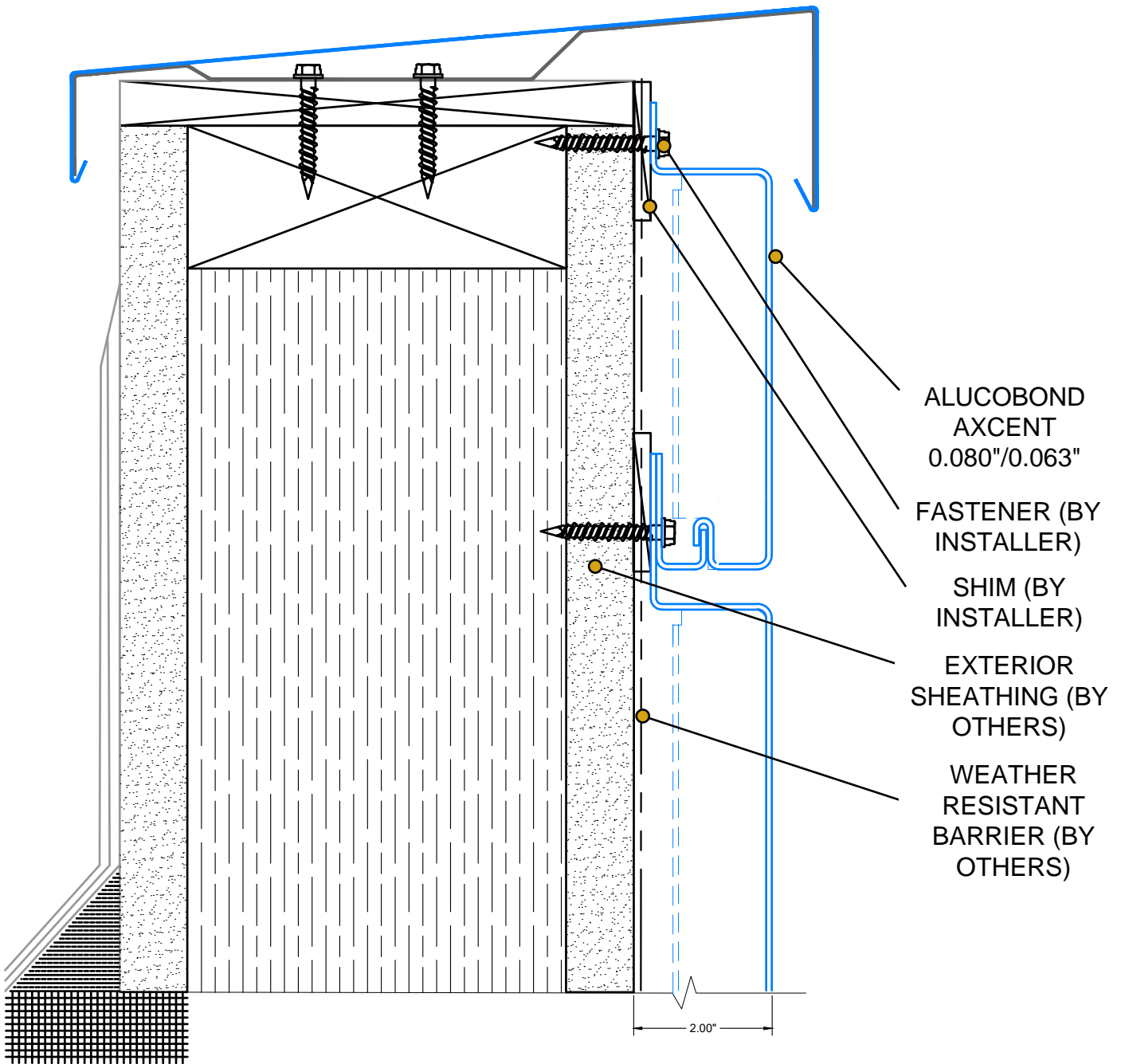
**DETAIL LEGEND**

- |                           |                           |
|---------------------------|---------------------------|
| 1 - PARAPET CONDITION     | 6 - WINDOW SILL           |
| 1A - PARAPET OPTIONAL     | 6a - WINDOW SILL OPTIONAL |
| 2 - HORIZONTAL JOINT      | 7 - WINDOW JAMB           |
| 3 - BASE CONDITION        | 7a - WINDOW JAMB OPTIONAL |
| 4 - OUTSIDE CORNER        | 8 - VERTICAL JOINT        |
| 5 - WINDOW HEAD           | 9 - INSIDE CORNER         |
| 5a - WINDOW HEAD OPTIONAL |                           |

① PARAPET CAP



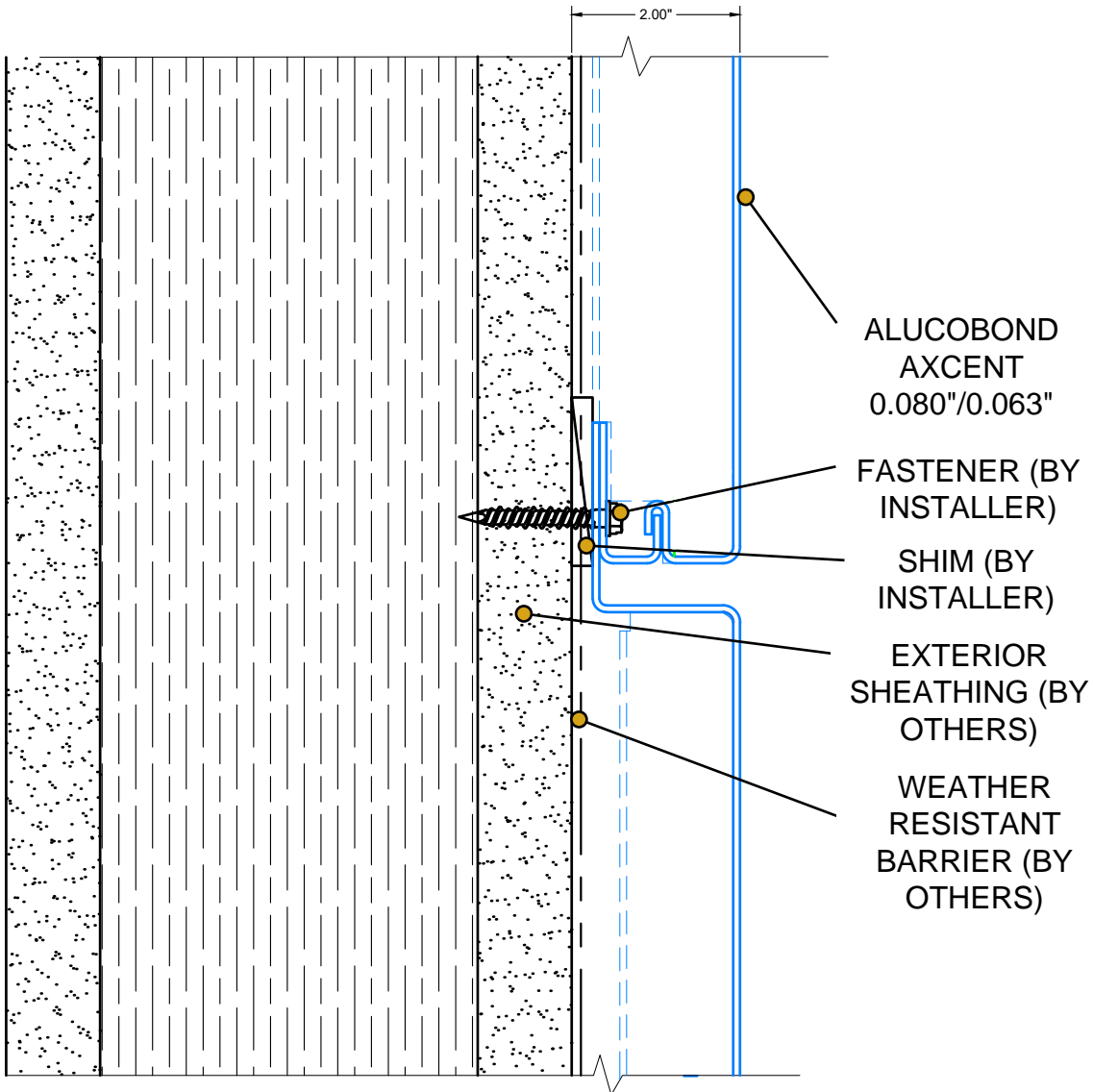
**① PARAPET CAP**



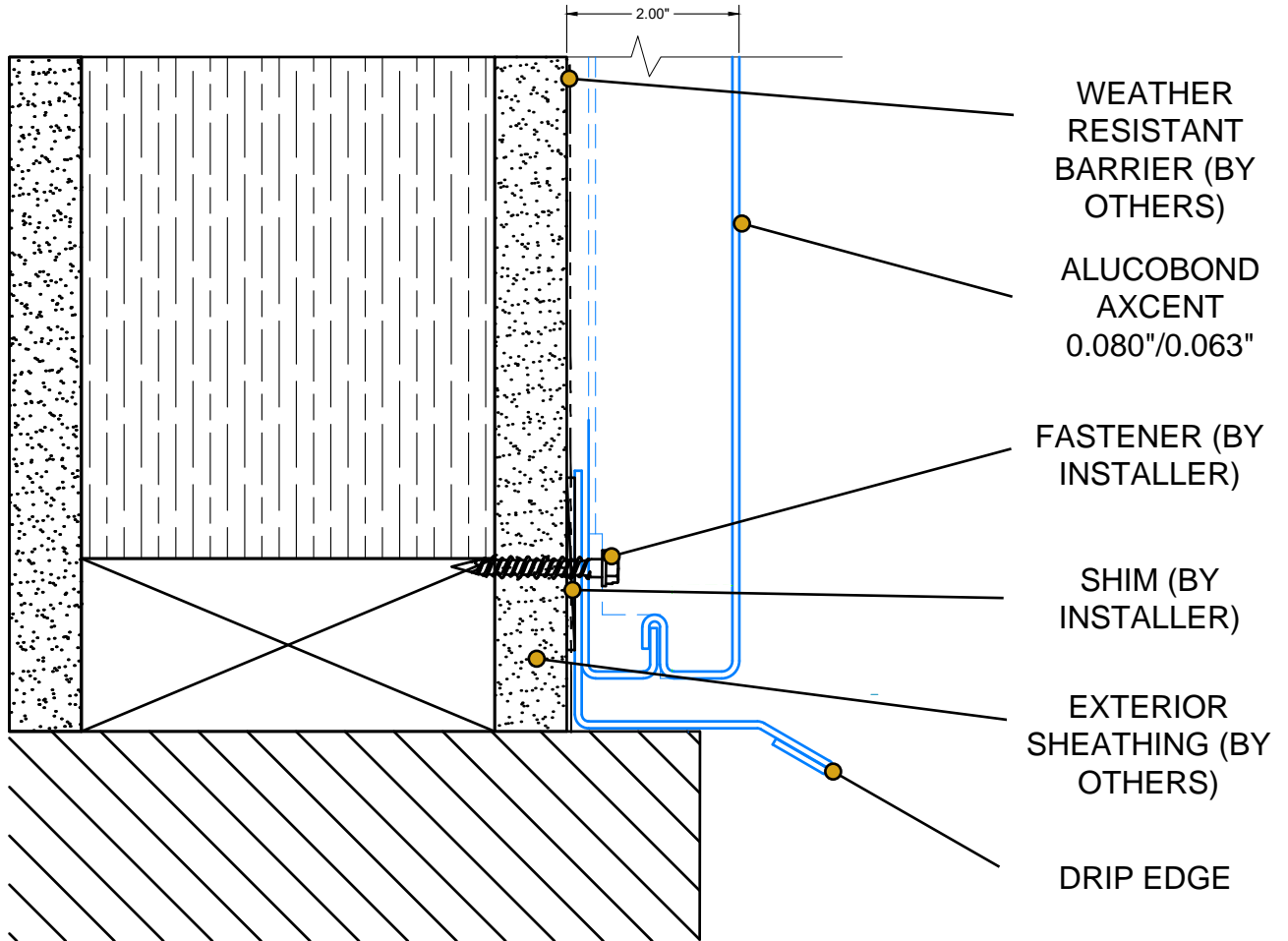
<https://www.alucobondusa.com/>    [info.usa@3acomposites.com](mailto:info.usa@3acomposites.com)    800-626-3365

*Disclaimer Note: 3A COMPOSITES USA, INC. DOES NOT MAKE ANY WARRANTIES, EXPRESS OR IMPLIED INCLUDING MERCHANTABILITY AND FITNESS FOR PURPOSE. THIS INFORMATION IS GIVEN TO THE BEST OF OUR KNOWLEDGE BUT WITHOUT ANY OBLIGATION ON OUR PART.*

② HORIZONTAL JOINT



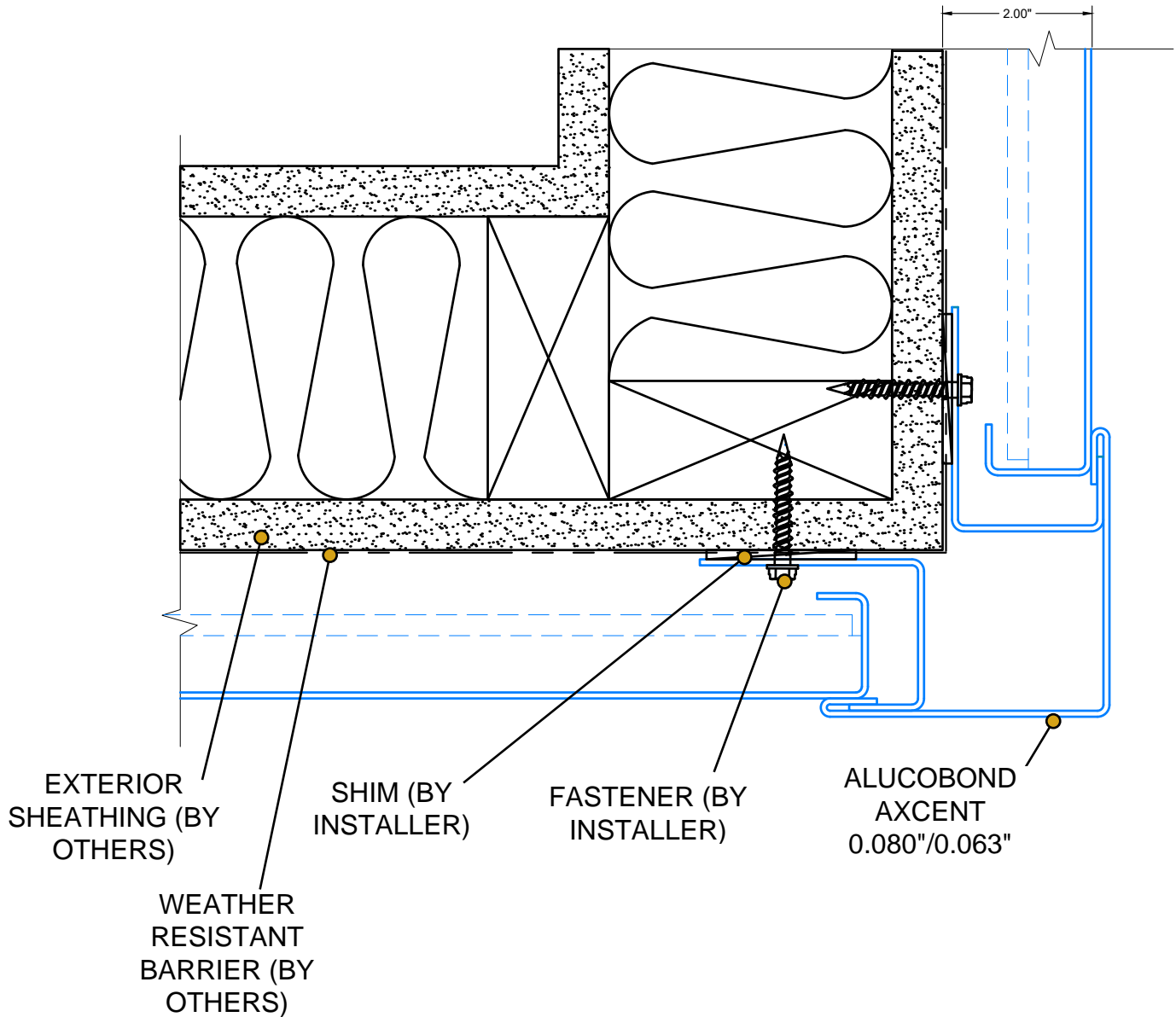
**③ BASE CONDITION**



<https://www.alucobondusa.com/>    [info.usa@3acomposites.com](mailto:info.usa@3acomposites.com)    800-626-3365

*Disclaimer Note: 3A COMPOSITES USA, INC. DOES NOT MAKE ANY WARRANTIES, EXPRESS OR IMPLIED INCLUDING MERCHANTABILITY AND FITNESS FOR PURPOSE. THIS INFORMATION IS GIVEN TO THE BEST OF OUR KNOWLEDGE BUT WITHOUT ANY OBLIGATION ON OUR PART.*

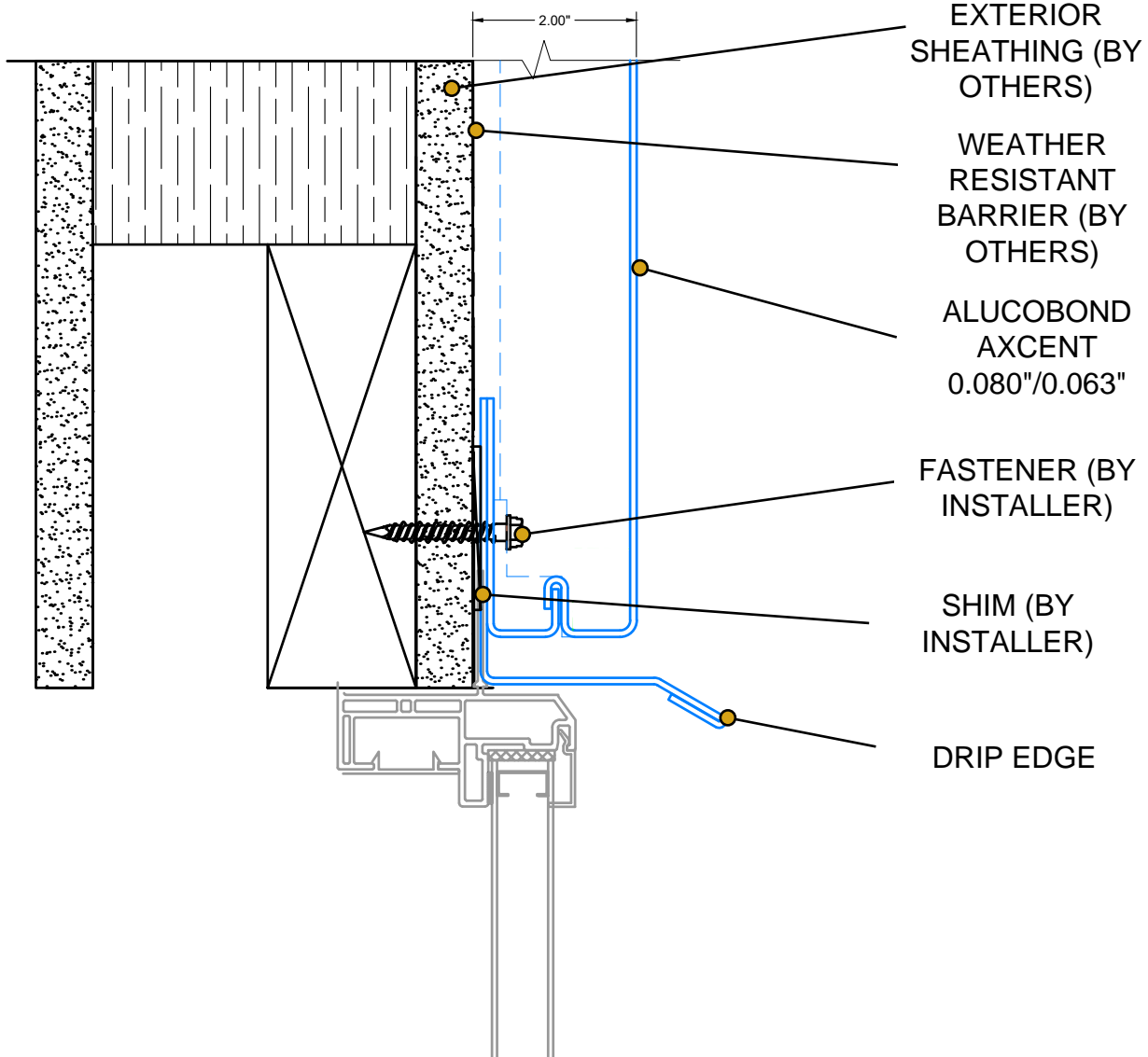
④ OUTSIDE CORNER



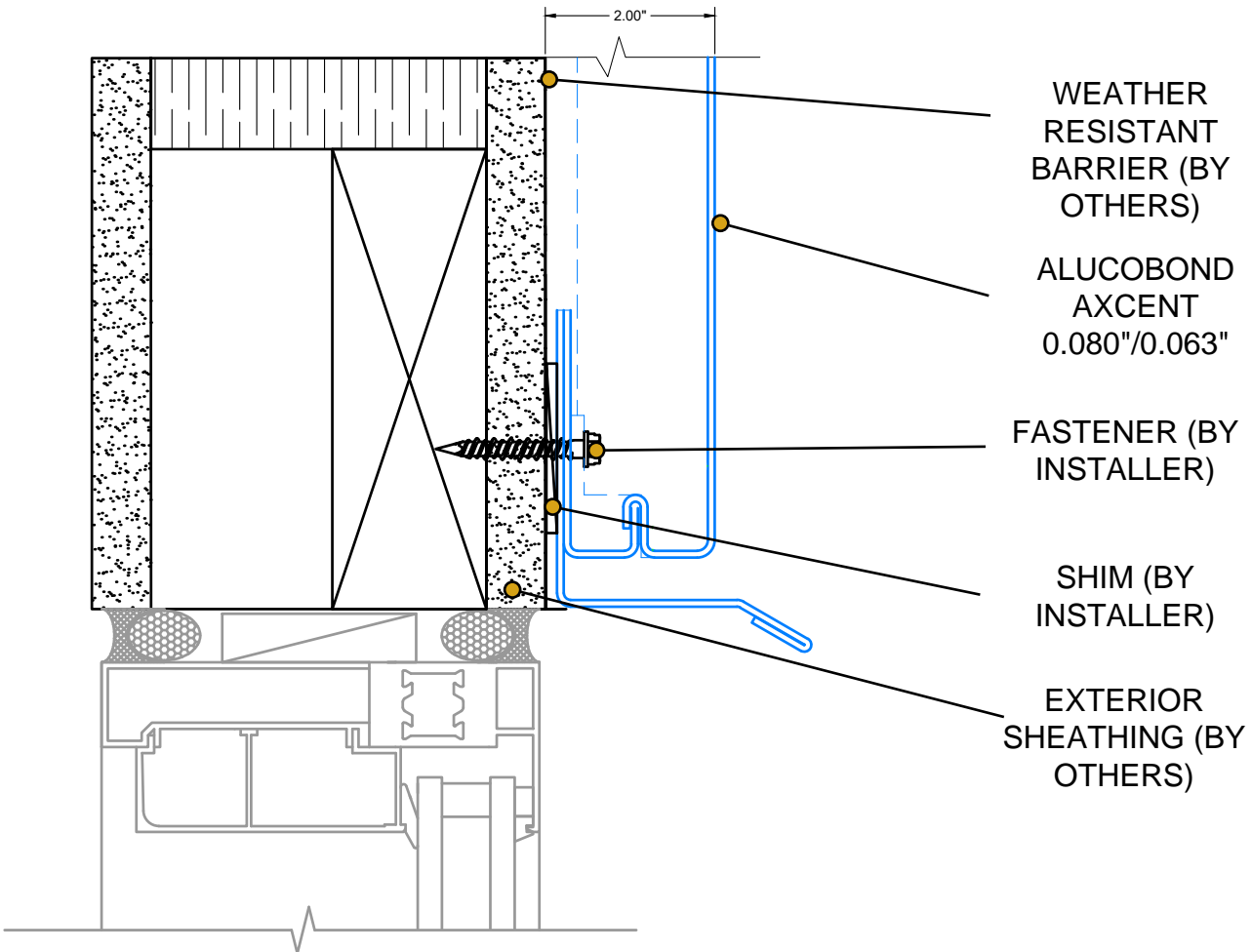
<https://www.alucobondusa.com/> info.usa@3acomposites.com 800-626-3365

*Disclaimer Note: 3A COMPOSITES USA, INC. DOES NOT MAKE ANY WARRANTIES, EXPRESS OR IMPLIED INCLUDING MERCHANTABILITY AND FITNESS FOR PURPOSE. THIS INFORMATION IS GIVEN TO THE BEST OF OUR KNOWLEDGE BUT WITHOUT ANY OBLIGATION ON OUR PART.*

⑤ WINDOW HEAD



5a WINDOW HEAD OPTIONAL

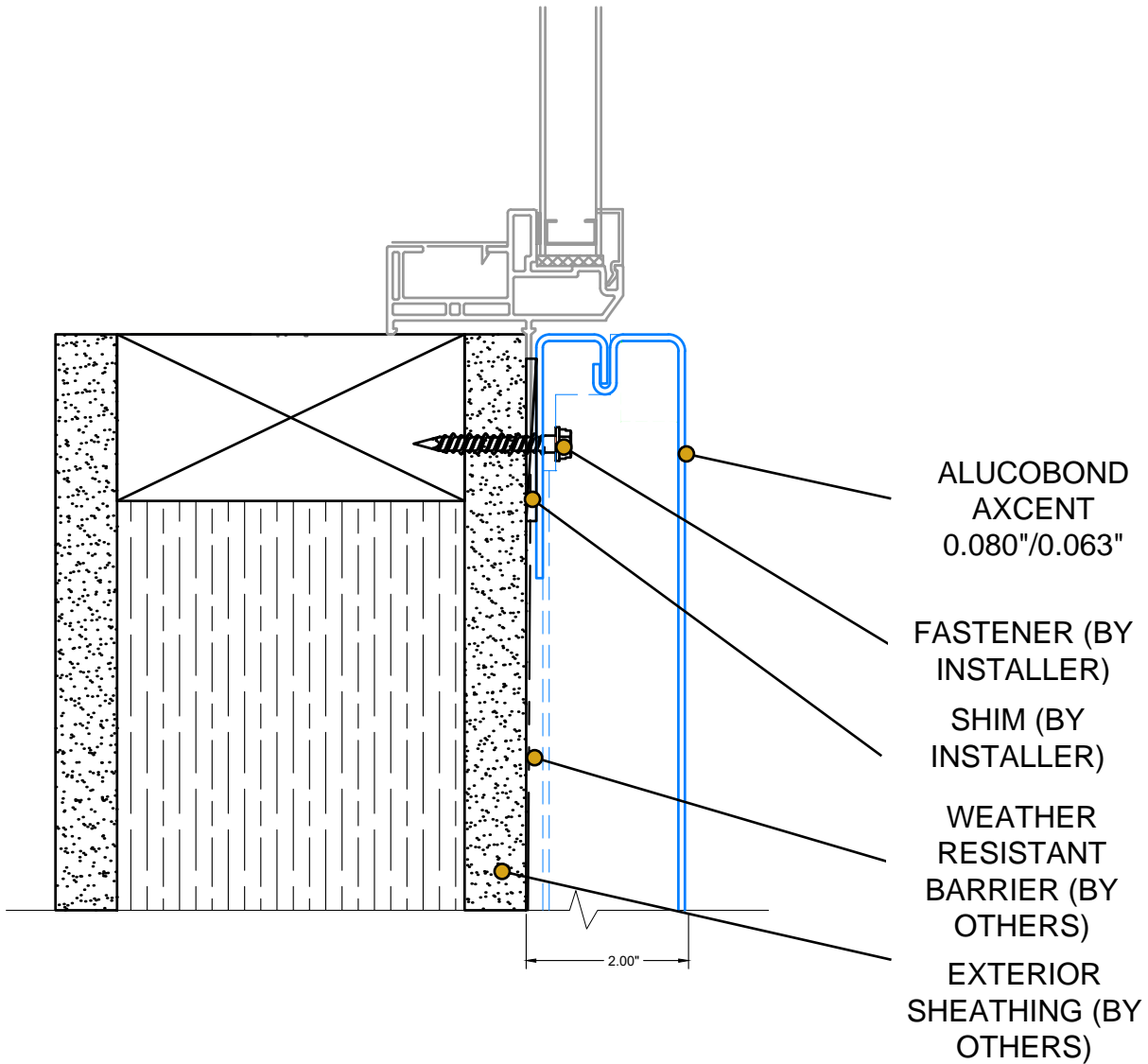


<https://www.alucobondusa.com/>    [info.usa@3acomposites.com](mailto:info.usa@3acomposites.com)    800-626-3365

*Disclaimer Note: 3A COMPOSITES USA, INC. DOES NOT MAKE ANY WARRANTIES, EXPRESS OR IMPLIED INCLUDING MERCHANTABILITY AND FITNESS FOR PURPOSE. THIS INFORMATION IS GIVEN TO THE BEST OF OUR KNOWLEDGE BUT WITHOUT ANY OBLIGATION ON OUR PART.*



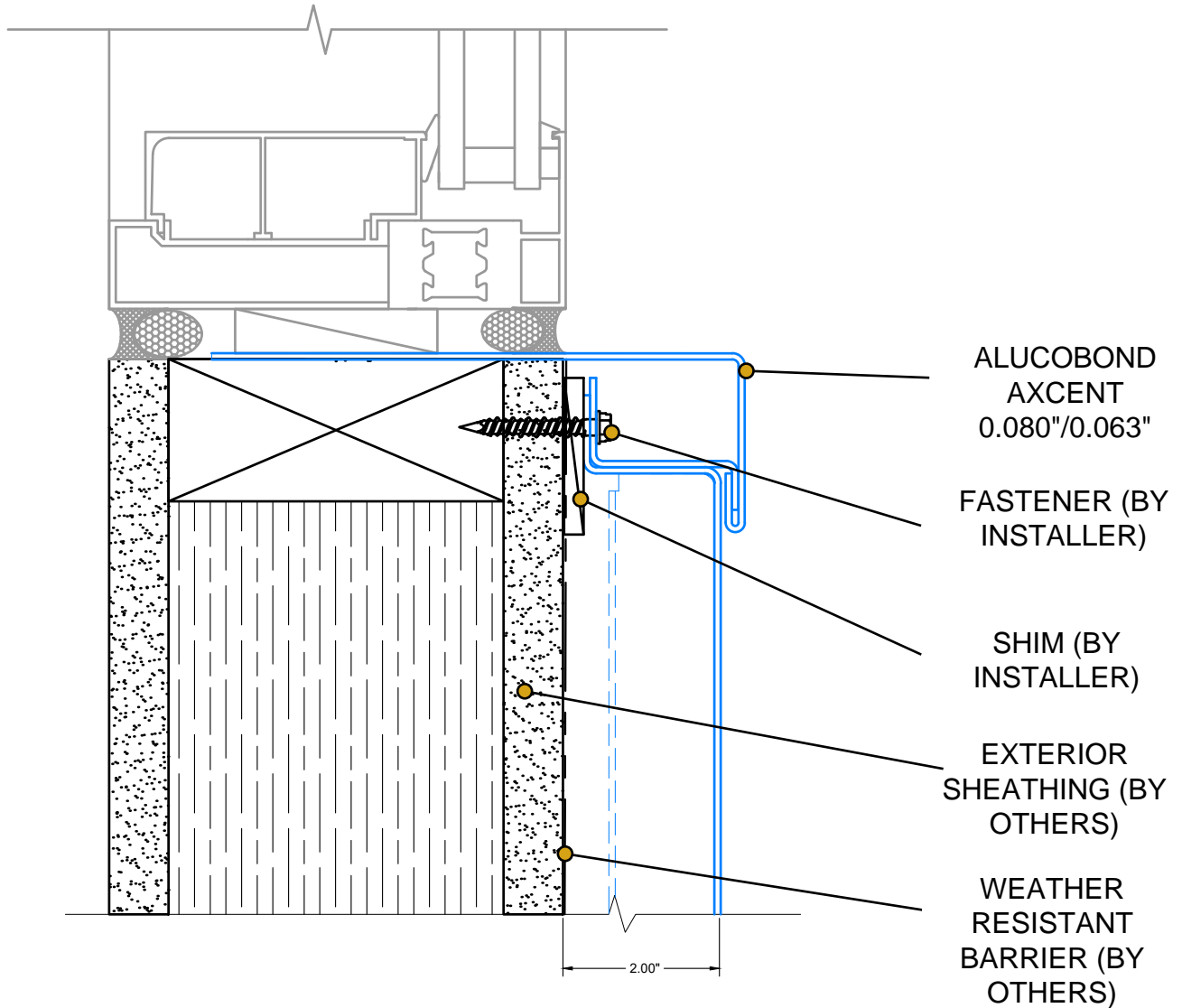
⑥ WINDOW SILL



<https://www.alucobondusa.com/>    [info.usa@3acomposites.com](mailto:info.usa@3acomposites.com)    800-626-3365

*Disclaimer Note: 3A COMPOSITES USA, INC. DOES NOT MAKE ANY WARRANTIES, EXPRESS OR IMPLIED INCLUDING MERCHANTABILITY AND FITNESS FOR PURPOSE. THIS INFORMATION IS GIVEN TO THE BEST OF OUR KNOWLEDGE BUT WITHOUT ANY OBLIGATION ON OUR PART.*

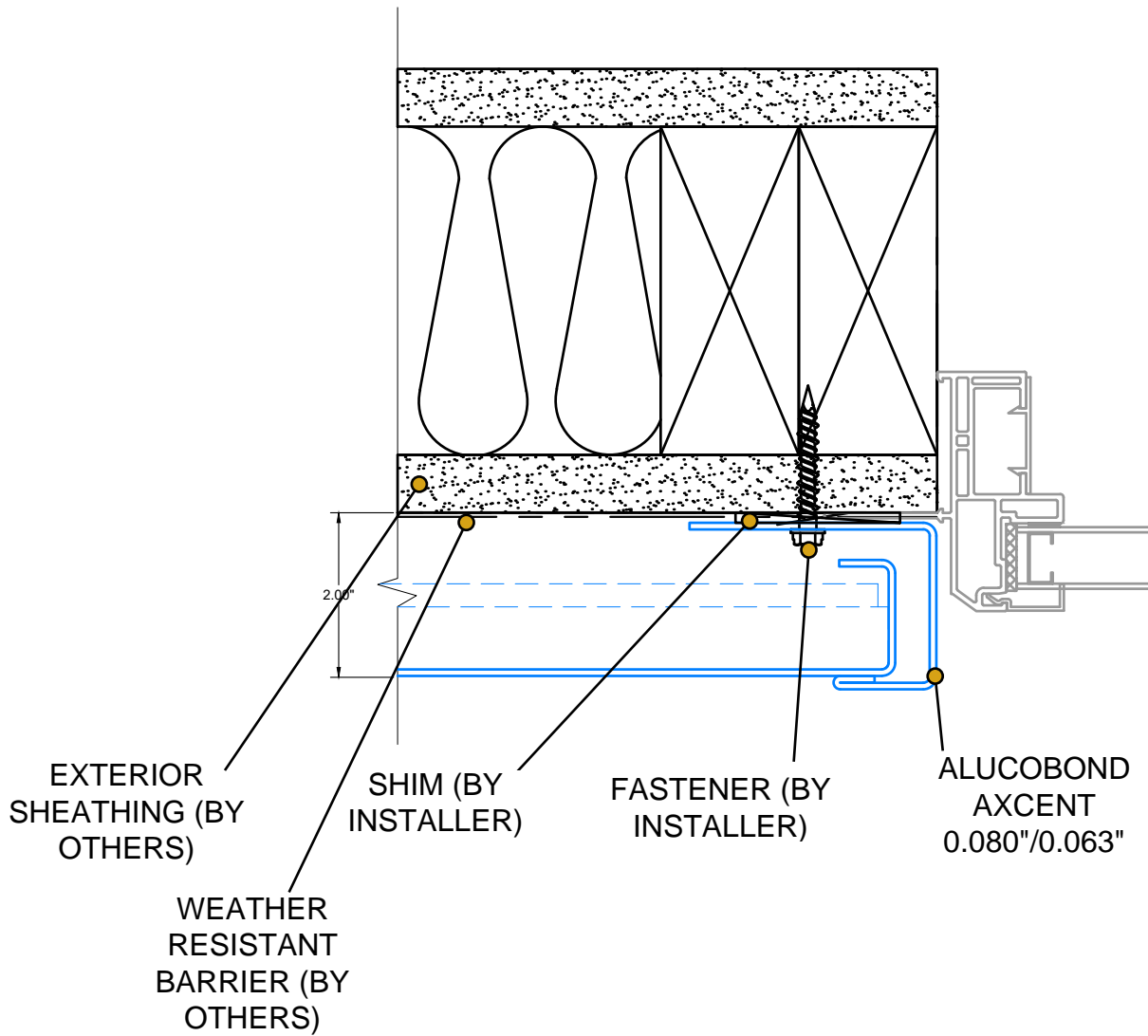
**6a** WINDOW SILL OPTIONAL



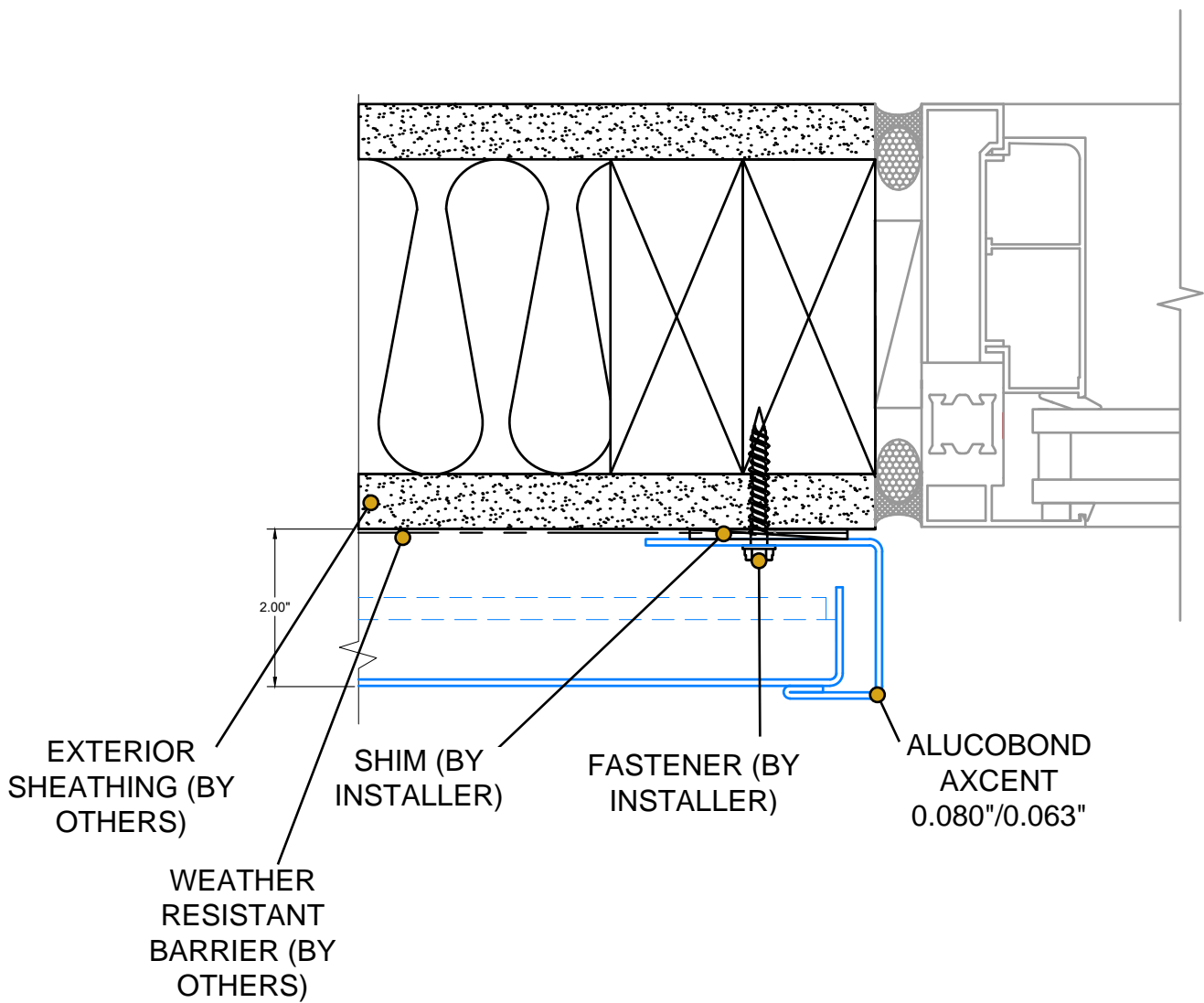
<https://www.alucobondusa.com/>    [info.usa@3acomposites.com](mailto:info.usa@3acomposites.com)    800-626-3365

*Disclaimer Note: 3A COMPOSITES USA, INC. DOES NOT MAKE ANY WARRANTIES, EXPRESS OR IMPLIED INCLUDING MERCHANTABILITY AND FITNESS FOR PURPOSE. THIS INFORMATION IS GIVEN TO THE BEST OF OUR KNOWLEDGE BUT WITHOUT ANY OBLIGATION ON OUR PART.*

**7 WINDOW JAMB**



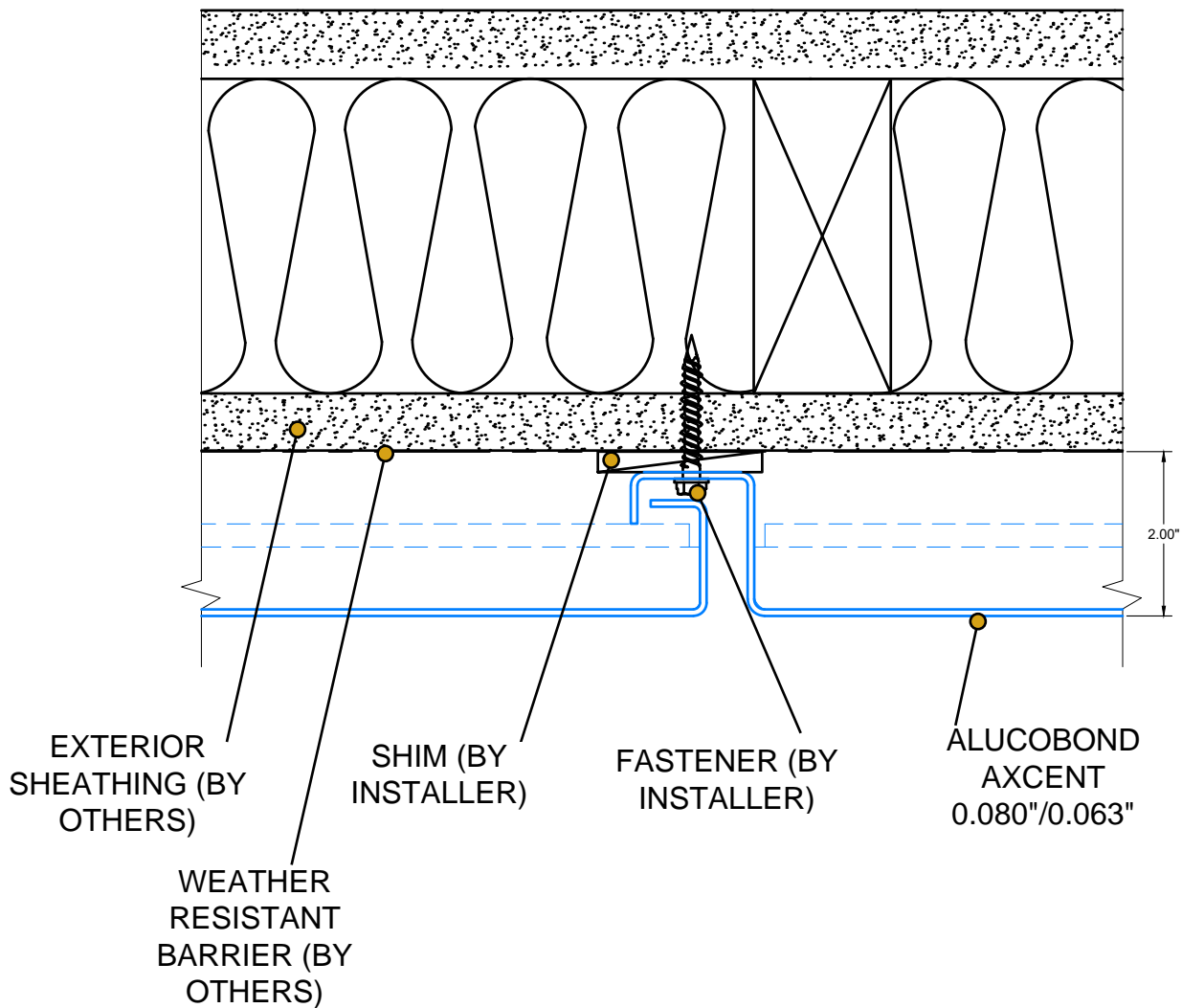
**7a WINDOW JAMB OPTIONAL**



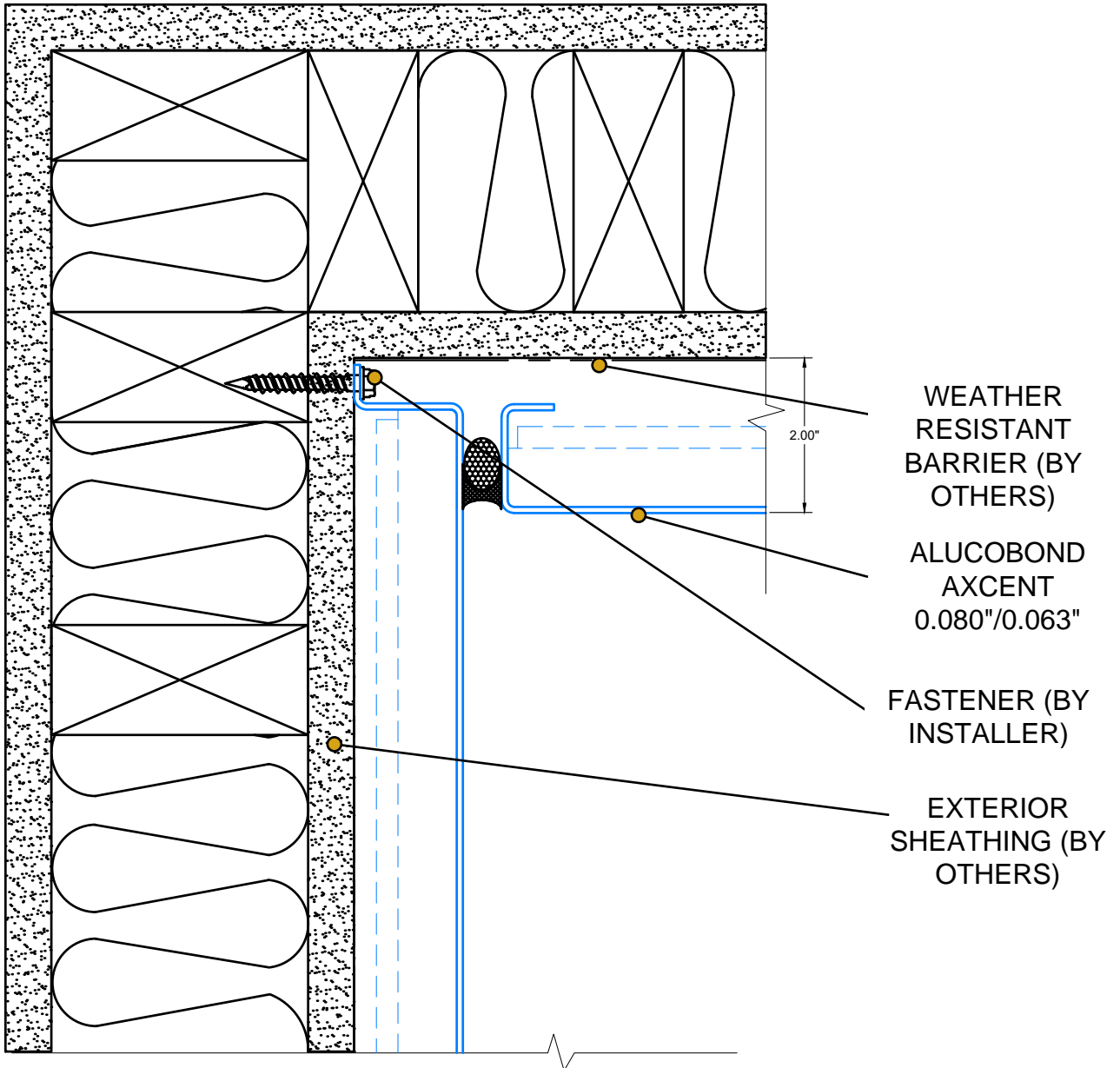
<https://www.alucobondusa.com/>    [info.usa@3acomposites.com](mailto:info.usa@3acomposites.com)    800-626-3365

*Disclaimer Note: 3A COMPOSITES USA, INC. DOES NOT MAKE ANY WARRANTIES, EXPRESS OR IMPLIED INCLUDING MERCHANTABILITY AND FITNESS FOR PURPOSE. THIS INFORMATION IS GIVEN TO THE BEST OF OUR KNOWLEDGE BUT WITHOUT ANY OBLIGATION ON OUR PART.*

⑧ VERTICAL JOINT



⑨ INSIDE CORNER



<https://www.alucobondusa.com/>    [info.usa@3acomposites.com](mailto:info.usa@3acomposites.com)    800-626-3365

*Disclaimer Note: 3A COMPOSITES USA, INC. DOES NOT MAKE ANY WARRANTIES, EXPRESS OR IMPLIED INCLUDING MERCHANTABILITY AND FITNESS FOR PURPOSE. THIS INFORMATION IS GIVEN TO THE BEST OF OUR KNOWLEDGE BUT WITHOUT ANY OBLIGATION ON OUR PART.*