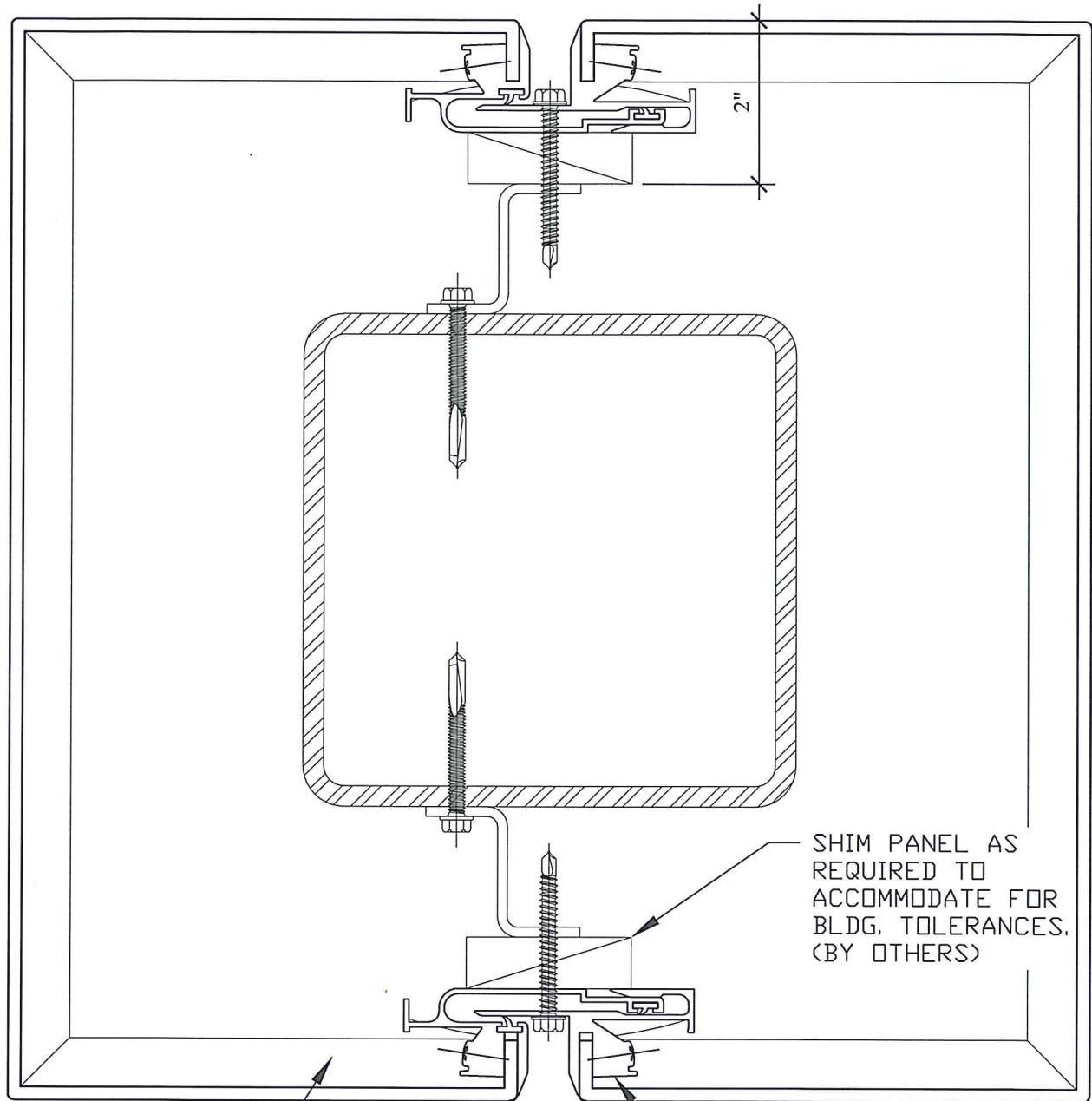


DISCLAIMER NOTE: THIS ALUCOBOND DETAIL IS PROVIDED FOR CONCEPTUAL PURPOSES ONLY. THE ACTUAL DESIGN, PANEL SYSTEM, FABRICATION, AND INSTALLATION ARE PROVIDED BY A NETWORK OF QUALIFIED FABRICATORS AND INSTALLERS. 3A COMPOSITES USA, INC. DOES NOT MAKE ANY WARRANTIES, EXPRESS OR IMPLIED INCLUDING MERCHANTABILITY AND FITNESS FOR PURPOSE.



ALUCOBOND*
ALUMINUM
COMPOSITE
MATERIAL.

SHIM PANEL AS
REQUIRED TO
ACCOMMODATE FOR
BLDG. TOLERANCES.
(BY OTHERS)

ROUT AND
RETURN DRY
EXTRUSIONS.

14

SQUARE COLUMN COVER

NOT TO SCALE

ROUT AND
RETURN
DRY-SEAL

THE NAME SAYS IT ALL
ALUCOBOND[®]

