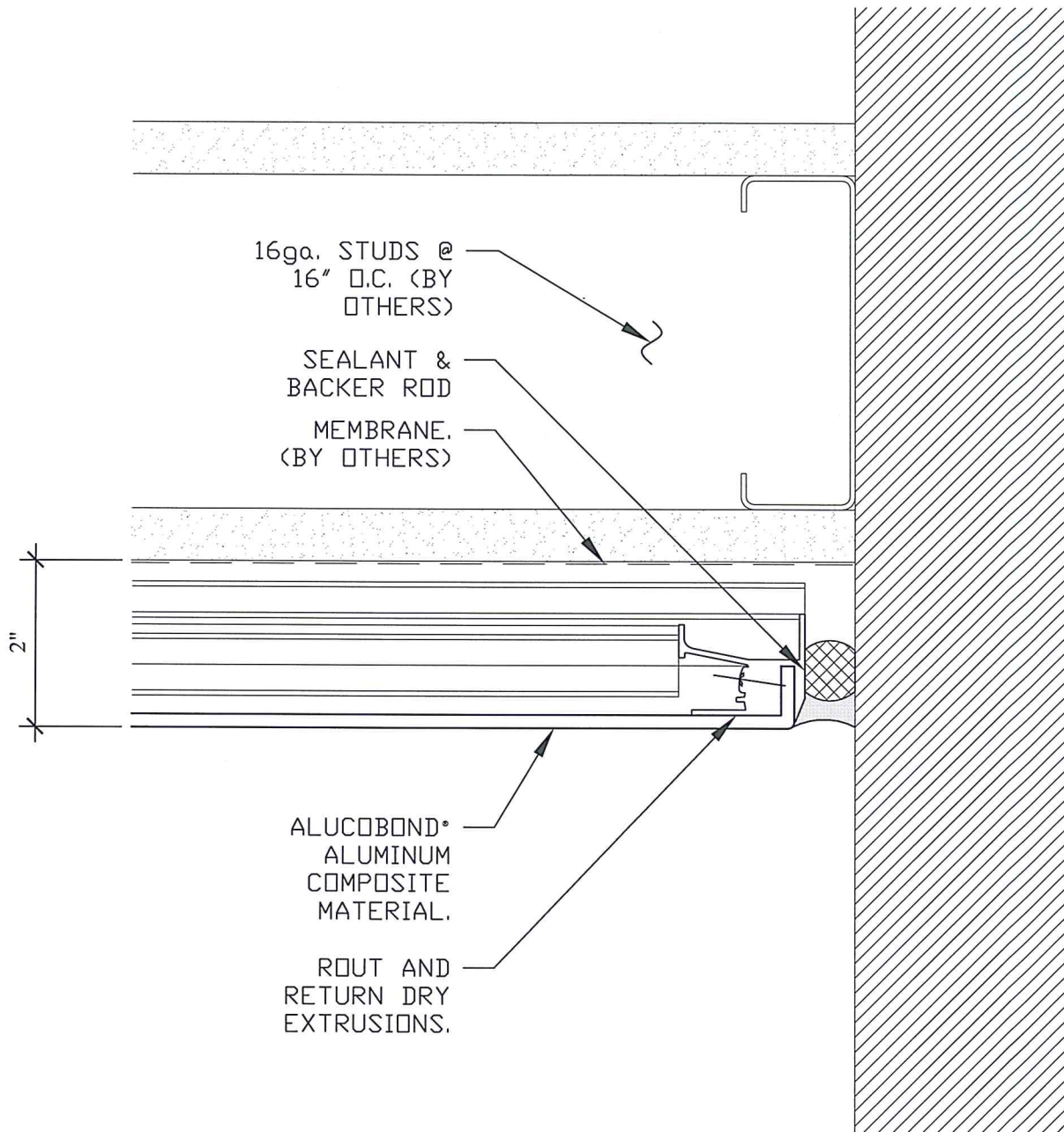


DISCLAIMER NOTE: THIS ALUCOBOND DETAIL IS PROVIDED FOR CONCEPTUAL PURPOSES ONLY. THE ACTUAL DESIGN, PANEL SYSTEM, FABRICATION, AND INSTALLATION ARE PROVIDED BY A NETWORK OF QUALIFIED FABRICATORS AND INSTALLERS. 3A COMPOSITES USA, INC. DOES NOT MAKE ANY WARRANTIES, EXPRESS OR IMPLIED INCLUDING MERCHANTABILITY AND FITNESS FOR PURPOSE.



13

### ENDWALL CONDITION

NOT TO SCALE

ROUT AND  
RETURN  
DRY-SEAL

THE NAME SAYS IT ALL  
**ALUCOBOND**®

