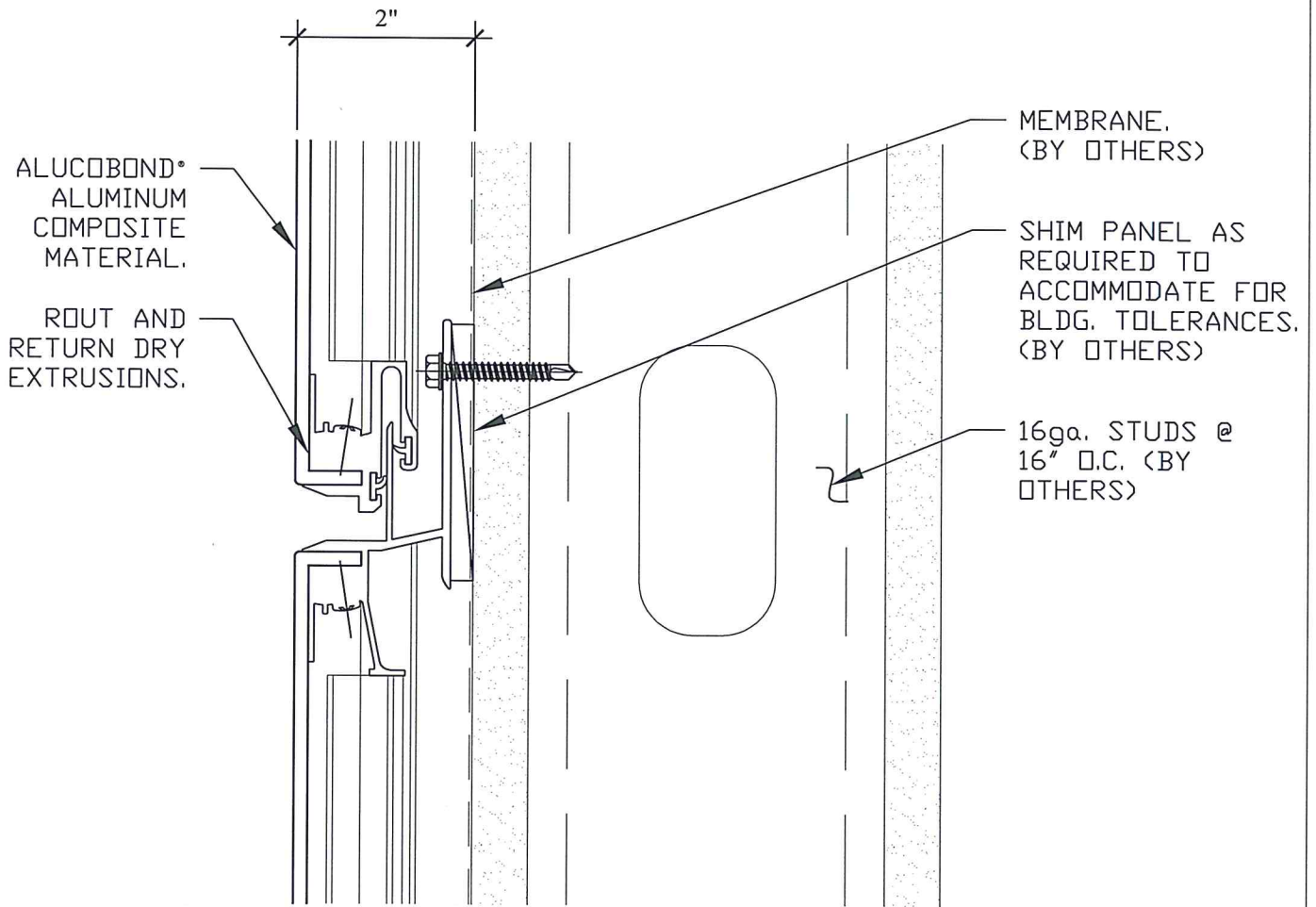


DISCLAIMER NOTE: THIS ALUCOBOND DETAIL IS PROVIDED FOR CONCEPTUAL PURPOSES ONLY. THE ACTUAL DESIGN, PANEL SYSTEM, FABRICATION, AND INSTALLATION ARE PROVIDED BY A NETWORK OF QUALIFIED FABRICATORS AND INSTALLERS. 3A COMPOSITES USA, INC. DOES NOT MAKE ANY WARRANTIES, EXPRESS OR IMPLIED INCLUDING MERCHANTABILITY AND FITNESS FOR PURPOSE.



2

HORIZONTAL JOINT

NOT TO SCALE

ROUT AND
RETURN
DRY-SEAL

THE NAME SAYS IT ALL
ALUCOBOND®

3A
COMPOSITES